

CRAFTSMAN®

INSTRUCTION MANUAL | GUIDE D'UTILISATION | MANUAL DE INSTRUCCIONES

1.75 PEAK HP VACUUM POWERHEAD WET/DRY VAC

**ASPIRATEUR DE LIQUIDES ET DE POUSSIÈRES
AVEC BLOC-MOTEUR À DÉPRESSION DE 1,75 HP CRÊTE**

**ASPIRADORA PARA SECO/MOJADO CON CABEZA MOTRIZ
DE ASPIRACIÓN DE 1,75 HP PICO**

CMXEVB176780



**IF YOU HAVE QUESTIONS OR COMMENTS, CONTACT US.
POUR TOUTE QUESTION OU TOUT COMMENTAIRE, NOUS CONTACTER.
SI TIENE DUDAS O COMENTARIOS, CONTÁCTENOS.**

1-888-331-4569

WWW.CRAFTSMAN.COM

Part No. SP7084

Printed in Mexico

Definitions: Safety Alert Symbols and Words

This instruction manual uses the following safety alert symbols and words to alert you to hazardous situations and your risk of personal injury or property damage.

⚠ DANGER: Indicates a hazardous situation which, if not avoided, will result in death or serious injury.

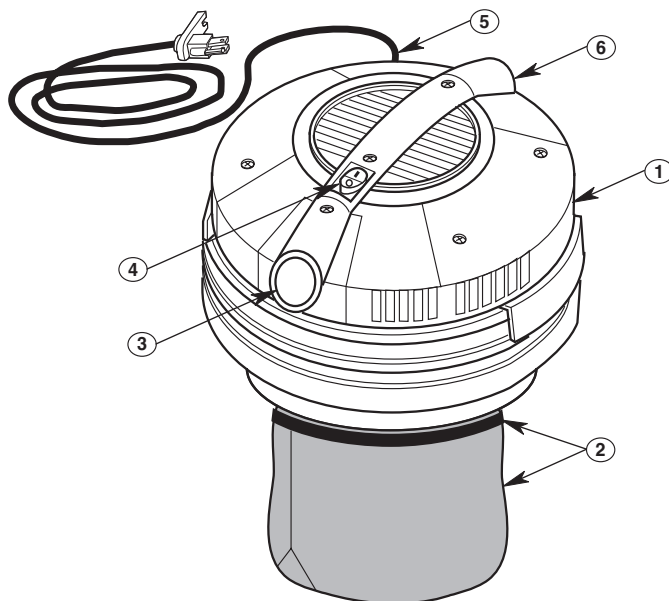
⚠ WARNING: Indicates a hazardous situation which, if not avoided, could result in death or serious injury.

⚠ CAUTION: Indicates a hazardous situation which, if not avoided, may result in minor or moderate injury.

⚠ (Used without word) Indicates a safety related message.

NOTICE: Indicates a practice not related to personal injury which, if not avoided, may result in property damage.

Fig. A



Components

- ① Powerhead Assembly
- ② Filter Bag and Retainer Band
- ③ Inlet Port
- ④ ON/OFF Switch
- ⑤ Power Cord
- ⑥ Blowing Port

⚠ WARNING: Read all safety warnings and all instructions. Failure to follow the warnings and instructions may result in electric shock, fire and/or serious injury.

⚠ WARNING: Never modify the product or any part of it. Damage or personal injury could result.

⚠ WARNING: To reduce the risk of injury, read the instruction manual.

If you have any questions or comments about this or any product, call CRAFTSMAN toll free at: 1-888-331-4569.

IMPORTANT SAFETY INSTRUCTIONS

When using this Vac, always follow basic safety precautions including the following:

⚠ WARNING:

To reduce the risk of fire, electric shock, or injury:

- Read and understand this manual and all labels on the Vac before operating.
- Use only as described in this manual.
- Do not leave Vac running while unattended - you may fail to notice important signs indicating abnormal operation such as loss of suction, debris/liquid exiting exhaust, or abnormal motor noises. Immediately stop using Vac if you notice these signs.
- Do not leave Vac when plugged in. Unplug from outlet when not in use and before servicing.
- TO REDUCE THE RISK OF ELECTRIC SHOCK, USE ONLY BUCKETS WITH THE FOLLOWING UPCs NUMBERS:
ACE® - 0 28901 08836 3,
Amazon - 8 84305 35557 7,
Lowe's® - 0 51596 10055 1,
Tractor Supply Company® - 0 12891 95001 2,
0 64784 73118 5,
Menards® - 0 17581 30505 9,
CANAC® - 2 01102 14080 3,
Canadian Tire - 6 28076 19101 1,
Orchard Supply Hardware® - 0 26703 05500 0.
The Home Depot® - 0 26703 05555 0, 0 84305 35554 6,
0 62602 00582 1, or 7 501058 561596.
- Sparks inside the motor can ignite flammable vapors or dust. To reduce the risk of fire or explosion, do not use near combustible liquids, gases, or dusts, such as gasoline or other fuels, lighter fluid, cleaners, oil-based paints, natural gas, coal dust, magnesium dust, grain dust, aluminum dust, or gun powder. Do not use on a bucket that contains residuals of such vapors or dusts.
- Do not vacuum anything that is burning or smoking, such as cigarettes, matches, or hot ashes.
- To avoid the risk of self-ignition of bucket debris, empty bucket after each use. Combustible materials, such as rags or saw dust containing stain or urethane, can be sources of such overheating.
- Do not vacuum drywall dust, cold fireplace ash, or other fine dusts, which may pass through the filter bag and be exhausted back into the air.
- To reduce the risk of inhaling toxic vapors, do not vacuum or use near toxic or hazardous materials.
- To reduce the risk of electric shock, do not expose to rain or allow liquid to enter motor compartment. Store indoors.
- This Wet/Dry Vac is not intended for use by persons (including children) with reduced physical, sensory, or mental capabilities, or lack of experience and knowledge, unless they have been given supervision or instruction concerning use of the appliance by a person responsible for their safety.
- Do not allow to be used as a toy. Close attention is necessary when used by or near children.
- Do not use with a torn filter or without the filter installed except when vacuuming liquids as described in this manual. Dry debris ingested by the impeller may damage the motor or be exhausted into the air.
- Turn off Vac before unplugging.
- To reduce the risk of injury from accidental starting, unplug power cord before changing or cleaning filter.
- Do not unplug by pulling on cord. To unplug, grasp the plug, not the cord.
- Do not use with damaged cord, plug, or other parts. If your Vac is not working as it should, has missing parts, has been dropped, damaged, left outdoors, or dropped into water, call customer service at 1-888-331-4569 (Mexico 001-881-331-4569).
- Do not pull or carry by cord, use cord as handle, close a door on cord, or pull cord around sharp edges or corners. Keep cord away from heated surfaces.
- Do not handle plug, switch, or the Vac with wet hands.
- To reduce the risk of electric shock, use only extension cords that are rated for outdoor use and have a grounding conductor. Extension cords in poor condition or too small in wire size can pose fire and shock hazards. To reduce the risk of these hazards, be sure the cord is in good condition and that liquid does not contact the connection. Do not use an extension cord with conductors smaller than 1,3 mm² (16 AWG) in size.
- Connect only to a properly grounded outlet. See grounding instructions.
- Do not put any object into ventilation openings. Do not vacuum with any ventilation openings blocked; keep free of dust, lint, hair, or anything that may reduce air flow.
- Keep hair, loose clothing, fingers, and all parts of body away from openings and moving parts.
- To reduce the risk of falls, use extra care when cleaning on stairs.
- To reduce the risk of tip-over when carrying by bucket handle/bale, be sure handle/bale is snapped into retention notches in latches.
- To reduce the risk of personal injury or damage to Vac, use only CRAFTSMAN recommended accessories.

- When using as a blower:
 - Direct air discharge only at work area.
 - Do not direct air at bystanders.
 - Keep children away when blowing.
 - Do not use blower for any job except blowing dirt and debris.
 - Do not use as a sprayer.
- To reduce the risk of eye injury, wear safety eyewear. The operation of any utility Vac or blower can result in foreign objects being blown into the eyes, which can result in severe eye damage.

⚠ WARNING:

To reduce the risk of personal injury due to a loose electrical connection between the appliance's plug and extension cord, firmly and fully attach the appliance plug to the extension cord. Periodically check the connection while operating to ensure it is fully attached. Do not use an extension cord that provides a loose connection. A loose connection may result in overheating, fire, and increases the risk of a burning.

- Use only three-wire outdoor extension cords that have three-prong grounding plugs and grounding receptacles that accept the appliance's plug.
- Maintain appliance with care.

⚠ CAUTION:

- To reduce the risk of hearing damage, wear ear protectors when using for extended time or in a noisy area.
- For dusty operations, wear dust mask.
- Static shocks are common when the relative humidity of the air is low. Vacuuming fine debris with your Vac can deposit static charge on the hose or Vac. To reduce the frequency of static shocks in your home or when using this Vac, add moisture to the air with a humidifier.

Observe the following warnings that appear on the motor housing of your Vac:

⚠ WARNING:

- TO REDUCE THE RISK OF INJURY, USER MUST READ INSTRUCTION MANUAL.
- TO REDUCE THE RISK OF ELECTRIC SHOCK, USE ONLY BUCKETS WITH THE FOLLOWING UPCs NUMBERS:
 ACE® - 0 28901 08836 3,
 Amazon - 8 84305 35557 7,
 Lowe's® - 0 51596 10055 1,
 Tractor Supply Company® - 0 12891 95001 2,
 0 64784 73118 5,
 Menards® - 0 17581 30505 9,
 CANAC® - 2 01102 14080 3,
 Canadian Tire - 6 28076 19101 1,
 Orchard Supply Hardware® - 0 26703 05500 0.
 The Home Depot® - 0 26703 05555 0,
 0 84305 35554 6, 0 62602 00582 1,
 or 7 501058 561596.
- Do not leave running while unattended.
- Do not pick up hot ashes, coals, toxic, combustible/self-igniting, flammable or other hazardous materials, or use around explosive liquids or vapors, including residuals leftover in the bucket.

⚠ WARNING:

- For your own safety, read and understand Instruction Manual.
- Do not run unattended.
- Do not pick up hot ashes, coals, toxic, combustible/self-igniting, flammable or other hazardous materials.
- Do not use around explosive liquids or vapors.

⚠ WARNING:

To reduce the risk of electric shock - do not expose to rain - store indoors.

FREE WARNING LABEL REPLACEMENT: If your warning labels become illegible or are missing, call **1-888-331-4569** for a free replacement.

SAVE THESE INSTRUCTIONS

INTRODUCTION

This Powerhead Assembly is intended to be used only with a 5 U.S. Gallon (19 Liter) plastic bucket, approximately 14-1/2 inches (368 mm) tall with a top diameter of 11-3/4 inches (298 mm) with a 10 gauge steel wire, bale-type handle.

This bucket is available from many home improvement locations as listed in the manual.

With this bucket you have a Vac that is intended for household use.

It may be used for light vacuuming of wet or dry media and may also be used as a blower. The light-weight design allows usage for many small household vacuuming chores.

Familiarize yourself with the product and read the entire instruction manual for specific usage of your new Wet/Dry Vac.

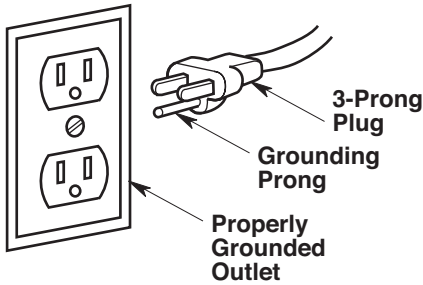
TABLE OF CONTENTS

Section	Page	Section	Page
Important Safety Instructions	2-4	Vacuuming Dry Materials	11
Introduction	5	Vacuuming Liquids	11
Grounding Instructions	6	Emptying the Bucket	12
Carton Contents	7	Blowing Feature	12
Installation	8-9	Maintenance	13-14
Powerhead Assembly	8	Filter Bag Cleaning	13
Powerhead Disassembly	8	Filter Bag Removal and Replacement	13
Insert Hose	9	Storage	13
Power Cord Storage	9	Cleaning and Disinfecting the Wet/Dry Vac	14
Hose Assembly Storage	9	Troubleshooting	14
Operation	10-12	Warranty	15
ON/OFF Switch	10		

GROUNDING INSTRUCTIONS

This Vac must be Grounded. If it should malfunction or break down, Grounding provides a path of least resistance for Electric Current to reduce the risk of Electric Shock. This Vac is equipped with a Cord having an Equipment-Grounding Conductor and Grounding Plug. The Plug must be inserted into an Appropriate Outlet that is properly installed and Grounded in accordance with all Local Codes and Ordinances.

Fig. B



⚠ WARNING:

Improper connection of the equipment grounding conductor can result in a risk of electric shock. Check with a qualified electrician or service person if you are in doubt as to whether the outlet is properly grounded. Do not modify the plug provided with the appliance - if it will not fit the outlet, have a proper outlet installed by a qualified electrician.

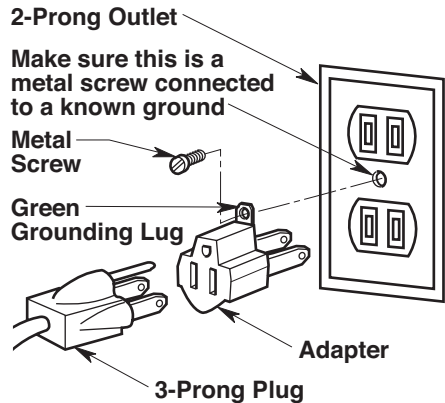
This Vac is for use on a Nominal 120 Volt Circuit, and has a Grounded Plug that looks like the Plug shown.

A Temporary Adapter that looks like the Adapter shown may be used to connect this Plug to a 2-Pole Receptacle, as shown. If a properly Grounded Outlet is not available, the Temporary Adapter should be used only until a properly Grounded Outlet can be installed by a Qualified Electrician.

The Green Colored Rigid Ear, Lug or the like extending from the Adapter must be connected to a Permanent Ground such as a properly Grounded Outlet Box Cover. Whenever the Adapter is used, it must be held in place by a Metal Screw.

NOTE: In Canada, the use of a Temporary Adapter is Not Permitted by the Canadian Electrical Code.

Fig. C

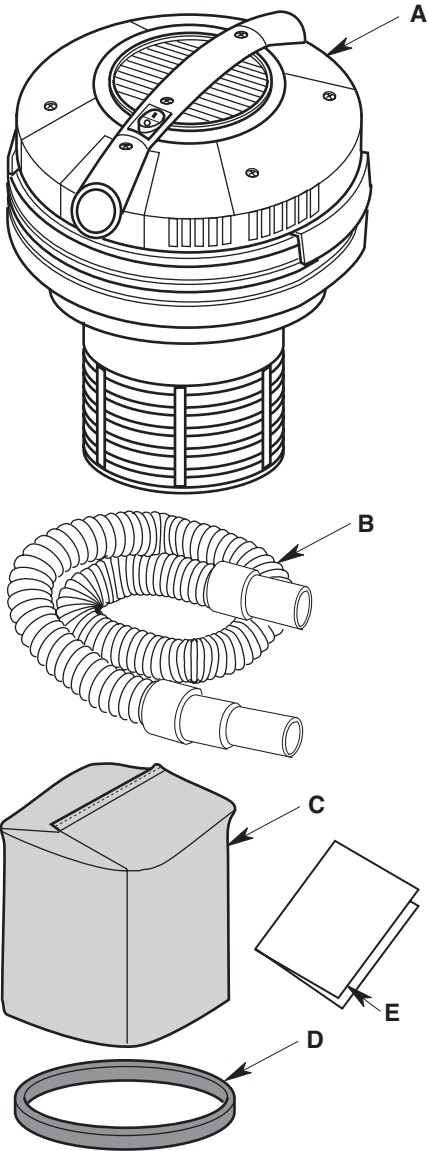


CARTON CONTENTS (Fig. D)

Remove entire contents of carton. Check each item against the Carton Contents List.

If any parts are damaged or missing, immediately call Customer Service at 1-888-331-4569 (Mexico 001-881-331-4569).

Fig. D



Key	Description	Qty.
A	Powerhead Assembly	1
B	Hose Assembly	1
C	Filter Bag	1
D	Retainer Band	1
E	Instruction Manual	1

Filter Bag and retainer band may already be assembled.

NOTE: See Repair Parts List for Part Number.

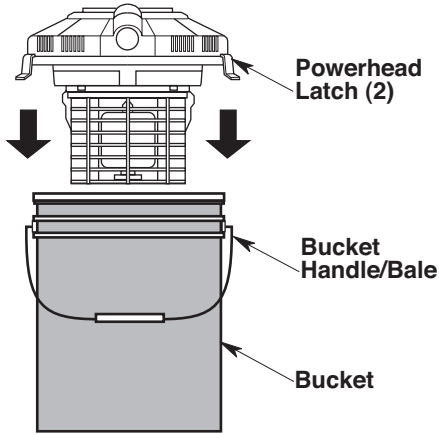
INSTALLATION

Powerhead Assembly (Figs. E & F)

1. Align the Powerhead Assembly Latches with the Bucket Handle/Bale.
2. Press down firmly over each Latch to engage the Latches with the Bucket.

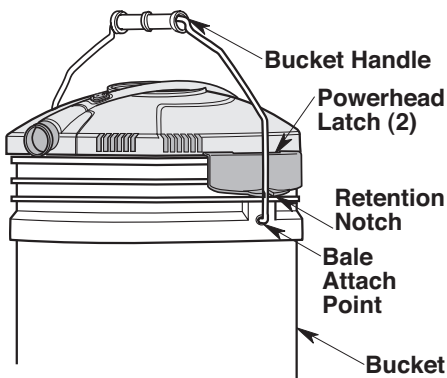
Fig. E

*Installation shown is for wet pick up applications.



3. Lift the Bucket Handle/Bale to snap into the Retention Notches of the Latches.

Fig. F

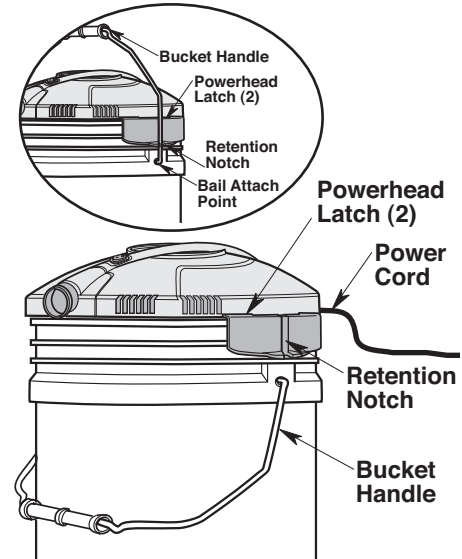


Powerhead Disassembly (Fig. G)

1. To remove the Powerhead Assembly from the Bucket, FIRST, unplug the Power Cord from the Wall Receptacle.
2. Remove the Hose from the Powerhead Assembly and rotate the Bucket Handle/Bale away from the Power Cord.
3. Slightly spread both Latches away from the Bucket.
4. Lift the Powerhead Assembly off the Bucket.

NOTE: To reduce the risk of tip-over when carrying by the Handle/Bale, align the Powerhead Latches above the Bale attach points and be sure the Bale is snapped into the Retention Notches on the Latches.

Fig. G

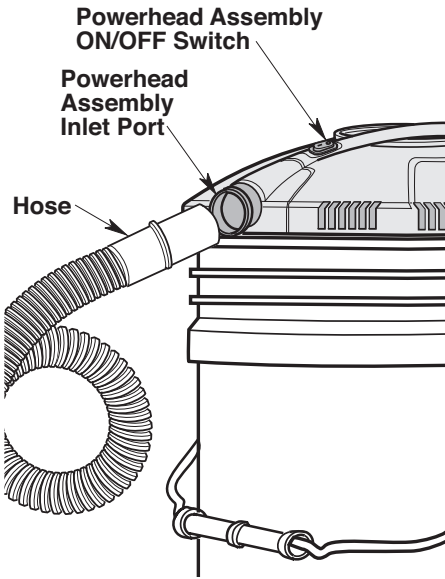


Insert Hose (Fig. H)

Insert the Hose Assembly into the Powerhead Assembly Inlet Port (Located Near the Power Switch). The Hose should be secure into place.

To remove the Hose Assembly from the Powerhead Assembly: Twist and pull out on the Hose Assembly to release the Hose from the Powerhead Assembly Inlet Port.

Fig. H



Hose Assembly Storage (Fig. J)

The Hose Assembly may also be stored inside the Vac Bucket.

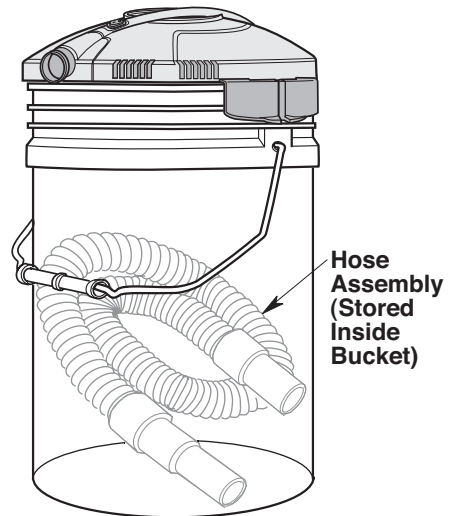
⚠ CAUTION:

Do not operate vacuum while the hose or accessories are stored inside the wet/dry vac's bucket.

⚠ WARNING:

Do not put any object into ventilation openings. Do not vacuum with any ventilation openings blocked; keep free of dust, lint, hair or anything that may reduce air flow.

Fig. J

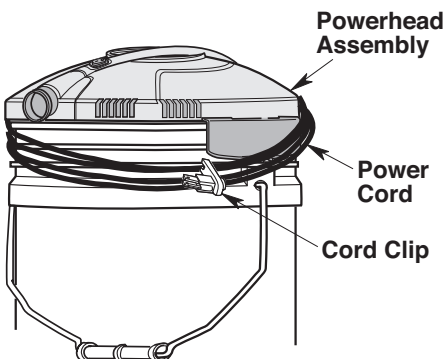


Power Cord Storage (Fig. I)

The Power Cord should be wrapped around the Powerhead Assembly.

Snap the Cord Clip onto the Power Cord, to secure in place.

Fig. I



OPERATION

⚠ WARNING:

To reduce the risk of fire, explosion, or damage to Vac:

- Do not leave Vac running while unattended - you may fail to notice important signs indicating abnormal operation such as loss of suction, debris/liquid exiting the exhaust, or abnormal motor noises. Immediately stop using Vac if you notice these signs.
- Do not leave Vac plugged in when not in use.
- Do not continue running when float has cut off suction.
- Sparks inside the motor can ignite airborne flammables. Do not operate Vac near flammable liquids or in areas with flammable gases, vapors, or explosive/airborne dust. Flammable liquids, gases, and vapors include: lighter fluid, solvent-type cleaners, oil-based paints, gasoline, alcohol, and aerosol sprays. Explosive dusts include: coal, magnesium, aluminum, grain, and gun powder.
- Do not vacuum up explosive dusts, flammable liquids, or hot ashes.
- Do not leave sawdust or rags with stain or polyurethane residue inside Vac. Empty bucket after picking up these potentially self-heating materials.

⚠ WARNING:

To reduce the risk of electric shock or injury:

- Do not expose to rain or allow liquid to enter motor compartment. Store indoors.
- Do not handle plug, switch, or Vac with wet hands.
- Unplug Vac before servicing. If your Vac is not working as it should, has missing parts, has been dropped, damaged, left outdoors, or dropped into water, call customer service at 1-888-331-4569 (Mexico 001-881-331-4569).
- When using an extension cord, use only outdoor-rated cords that are in good condition. Do not allow the connection to come into contact with liquid.

⚠ CAUTION:

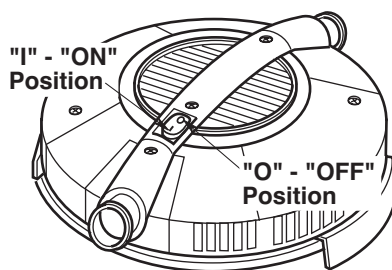
To reduce the risk of hearing damage, wear ear protectors when using the Vac/Blower for extended time or in a noisy area.

ON/OFF Switch (Fig. K)

After you Plug the Power Cord into the Outlet, turn the Unit on by pushing the Switch from position "O" to position "I". The symbols used on the Switch Actuator are International "On & Off" Symbols:



Fig. K



Vacuating Dry Materials (Fig. L)

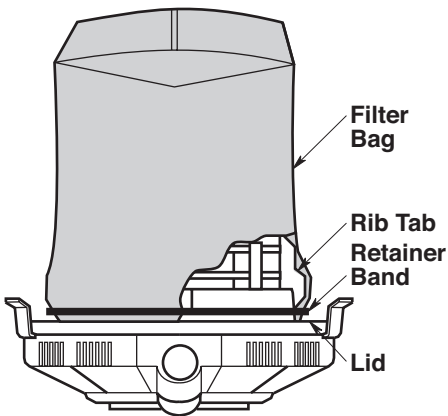
1. The Filter Bag must always be in correct position to reduce the risk of leaks and possible damage to Vac. Make sure that the Filter Bag is completely covering the Filter Cage and that the Retainer Band is as close to the Powerhead Assembly as possible. Make sure there are no gaps between the Filter Bag and the Powerhead Assembly.

NOTE: It is very important to assemble the Filter Bag to the cage without allowing any possible leaks or tears. Any leaks will allow the picked up media to be blown out of the Blower Port and back into the surrounding environment.

2. When using your Vac to pick up very fine dust, it will be necessary for you to empty the Bucket and clean or replace the Filter Bag at more frequent intervals to maintain peak Vac performance. See "Replacing the Filter" in the Maintenance section for complete details.

NOTE: A dry Filter Bag is necessary to pick up dry material. If you use your Vac to pick up dust when the Filter Bag is wet, the Filter Bag will clog quickly and be very difficult to clean. In case the Filter Bag gets wet, replace it before continuing to do dry pickups.

Fig. L



Vacuating Liquids (Fig. M)

⚠ WARNING:

Do not remove the cage and float. The float prevents liquid from entering the impeller and damaging the motor. The cage prevents fingers from touching the moving impeller.

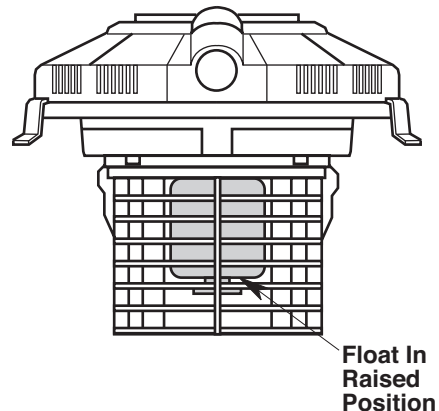
⚠ WARNING:

To reduce the risk of fire or explosion, do not vacuum flammable or combustible liquids, gases or dust.

1. Removal of the Filter Bag is highly recommended for wet pickups.
2. This Wet/Dry Vac is equipped with a Float Mechanism which will rise automatically to cut off the airflow when the liquid in the Bucket reaches a predetermined level. When this happens, turn OFF Vac, unplug the Power Cord, and empty the Bucket. You will know that the Float has shut the airflow off because the suction ceases and the motor noise becomes higher in pitch, due to increased motor speed. The liquid capacity may vary with the rate of pickup.
3. If a Filter Bag was used for wet pickup, be sure to replace Filter Bag after wet pickup. Never pick up dry debris without the Filter Bag properly installed.

IMPORTANT: To reduce the risk of damage to the Vac do not run Motor with Float in raised position.

Fig. M



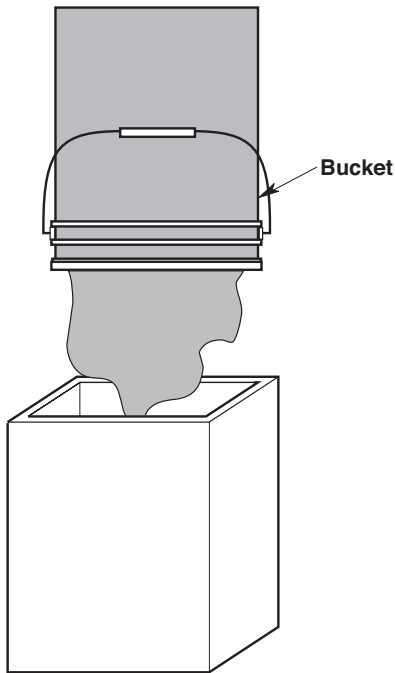
Emptying the Bucket (Fig. N)

⚠ WARNING:

To reduce the risk of injury from accidental starting, unplug power cord before emptying the bucket.

1. Remove the Powerhead Assembly: Pull Powerhead Assembly Latches outward to release from the Bucket.
2. Lift the Powerhead Assembly up and away from the Bucket.
3. Lay Powerhead Assembly upside down on a clean area while emptying the Bucket.
4. Dump the Bucket contents into the proper waste disposal container.

Fig. N



Blowing Feature (Fig. O)

Your Vac features a Blowing Port. It can blow sawdust and other debris. Follow the following steps to use your Vac as a Blower.

1. Locate the Blowing Port on the back of your Powerhead Assembly.
2. Insert one End of the Hose Assembly into the Powerhead Assembly Blowing Port. The Hose should be secure into place.

To remove the Hose from the Powerhead Assembly: Twist and pull out on the Hose Assembly to release the Hose from the Powerhead Assembly Blowing Port.

3. (Optional) Attach an Accessory to opposite end of Hose.
4. Turn Powerhead Assembly ON and you are ready to use your Vac as a Blower.

⚠ WARNING:

Always wear safety eyewear complying with ANSI Z87.1 (or in Canada, CSA Z94.3) before using as a blower.

⚠ WARNING:

To reduce the risk of injury to bystanders, keep them clear of blowing debris.

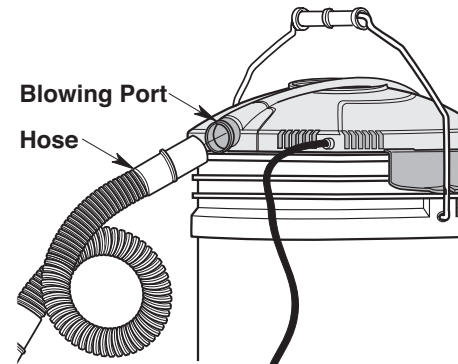
⚠ CAUTION:

Wear a dust mask if blowing creates dust which might be inhaled.

⚠ CAUTION:

To reduce the risk of hearing damage, wear ear protectors when using the Vac / Blower for extended time or in a noisy area.

Fig. O



MAINTENANCE

Filter Bag Cleaning

⚠ WARNING:

To reduce the risk of injury from accidental starting, unplug power cord before changing or cleaning filter.

Your Filter should be cleaned often to maintain peak Vac performance.

After dirty Filter Bag removal from the Powerhead Assembly, remove the dry debris by gently tapping Filter against the inside wall of the disposal container.

NOTE: Clean the Filter Bag in an open area. Cleaning should be done outdoors and not in the living quarters.

IMPORTANT: After cleaning, check the Filter Bag for tears or small holes. Tears and holes in the Filter Bag can cause debris and dust to be blown from the Vac. Do not use a Filter Bag with holes or tears. Replace immediately.

Filter Bag Removal and Replacement (Fig. P)

IMPORTANT: To avoid damage to the Blower Wheel and Motor, always reinstall the Filter Bag before using the Vac for dry material pick-up.

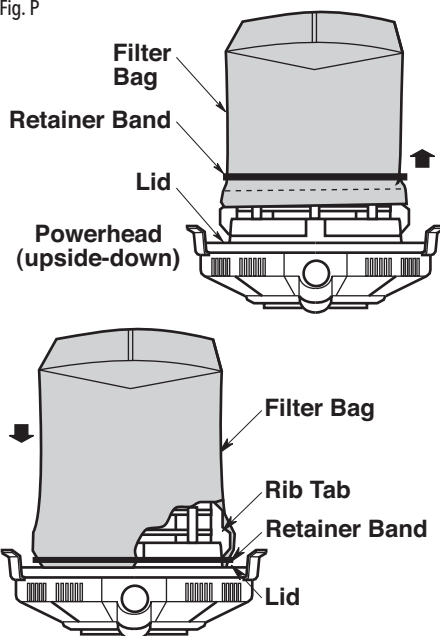
1. Extend the Retainer Band around the Plastic Posts on the Powerhead Assembly.
2. Remove Filter Bag off the Filter Cage.
3. Place the replacement Filter Bag on the Filter Cage until open end touches bottom of the Powerhead Assembly.
4. Release the Retainer Band from the Plastic Post on the Powerhead Assembly, holding the Filter Bag secure to the Powerhead Assembly.
5. Make sure the Retainer Band is positioned on the Filter Bag between the printed lines.

NOTE: See Repair Parts List for Part Number.

NOTE: Before installing the Filter Bag on the Vac, clean the area of the Powerhead Assembly so that the Retainer Band will seal the bag against the Powerhead Assembly and stop small particles from bypassing the Filter Bag.

If the Filter Bag is clean and not damaged, replace it on the Filter Cage. If it cannot be reused, place a new Filter Bag over the Filter Cage.

Fig. P



Storage

Before storing your Vac, the Bucket should be emptied and cleaned. The Power Cord should be wrapped around the Carry Handle and the Hose should be stored as described in this manual. Accessories should be kept in the same area as the Vac so they can be readily available. The Vac should be stored indoors.

Cleaning and Disinfecting the

Wet/Dry Vac

To keep your Wet/Dry Vac looking its best, clean the outside with a cloth dampened with warm water and mild soap.

To clean the Bucket:

1. Dump debris out.
2. Wash the Bucket thoroughly with warm water and mild soap.
3. Wipe out with dry cloth.

Before prolonged storage or as needed (i.e., waste water pickup) the Bucket should be disinfected.

To disinfect the Bucket:

1. Pour 1 gallon (4 L) of water and 1 teaspoon (5 mL) chlorine bleach into the Bucket.
2. Let solution stand for 20 minutes, carefully swishing every few minutes, making sure to wet all inside surfaces of the Bucket.
3. Empty Bucket after 20 minutes. Rinse with water until bleach smell is gone. Allow Bucket to dry completely before sealing the Motor on the Bucket.

⚠ WARNING:

To assure product SAFETY and RELIABILITY, any other maintenance, repairs and adjustments should be performed by Authorized Service Centers, always using CRAFTSMAN replacement parts.

Troubleshooting

Problem	Cause	Remedy
Vac will not pick up dirt.	<ol style="list-style-type: none">1. Clogged Filter.2. Clogged Hose.3. Air leak.	<ol style="list-style-type: none">1. Clean or replace Filter Bag (Follow instructions on Page 13).2. Remove Hose and clear debris.3. Make sure Powerhead Assembly is securely attached to Bucket.
Vac will not run.	<ol style="list-style-type: none">1. No electricity.	<ol style="list-style-type: none">1. Make sure electrical outlet has voltage. (A qualified electrician may need to be contacted).

⚠ WARNING:

If any of the powerhead assembly parts should become detached or broken, exposing motor or any other electrical components, operation should be discontinued immediately to avoid personal injury or further damage to the vacuum. This vacuum has no user serviceable parts, except the filter.

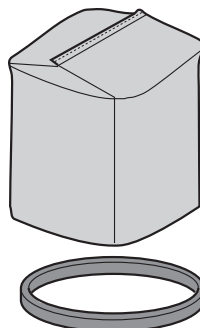
Vacuum Powerhead Wet/Dry Vac
Model Number: CMXEVB176780
Electrical Ratings: 120 V~ 4 A 60 Hz

Replacement Filter Bag (Fig. R)

Replacement Filter Bags are available where you purchased your Vac.

The Part Number is CMX2VBE38737.

Fig. R



CRAFTSMAN® LIMITED WARRANTY – 3 YEARS

This limited warranty is provided by Emerson Tool Company, a division of Emerson Electric Co., (“We” or “Our” or “Us”) to the original consumer owner (“Customer” or “You” or “Your”) of the CRAFTSMAN product with which this limited warranty is provided (the “CRAFTSMAN Product”).

What is Covered

We warrant to You that your CRAFTSMAN Product will be free from defects in materials and workmanship when used under normal conditions in accordance with the terms of the Instruction Manual provided to You with the CRAFTSMAN Product, subject to the exclusions described below, for a period of three years commencing on the date of purchase by You (the “Warranty Period”). This limited warranty terminates if the original purchaser transfers the CRAFTSMAN Product to any other person or entity.

What is not Covered

This limited warranty does not extend to and expressly excludes:

- Normal wear and tear and/or replacement attachments or accessories, including, without limitation, power cords, hoses, filters, and other attachments or accessories that may be offered for sale by Us for use with the CRAFTSMAN Product.
- Damage or burnout of the CRAFTSMAN Product motor resulting from failure to clear a blockage occurring during the normal course of use.
- Loss or damage to the CRAFTSMAN Product resulting from conditions beyond Our control including without limitation, misuse, accident, abuse, neglect, negligence (other than Our’s), overuse beyond intended capacity as set forth in the Instruction Manual, or modifications or alterations made by anyone other than Us.
- Loss or damage to the CRAFTSMAN Product resulting from failure to use the CRAFTSMAN Product in accordance with the written instructions, guidelines, and terms and conditions set forth in the Instruction Manual.
- TO THE EXTENT PERMITTED BY LAW, IN NO EVENT SHALL WE BE LIABLE FOR ANY INCIDENTAL, SPECIAL, INDIRECT, OR CONSEQUENTIAL DAMAGES, INCLUDING ANY ECONOMIC LOSS, WHETHER RESULTING FROM NONPERFORMANCE, USE, MISUSE OR INABILITY TO USE THE CRAFTSMAN PRODUCT OR FOR THE NEGLIGENCE OF ETC.

How to Obtain Service

US and Canada - To obtain warranty benefits contact us toll free at 1-888-331-4569 (Mexico 001-881-331-4569). We will direct you to the nearest service center to review your vacuum for inspection, repairs or replacement.

Mexico - To obtain warranty benefits contact us toll free at 001-881-331-4569. We will direct you to the nearest service center to review your vacuum for inspection, repairs or replacement.

No Other Express Warranty Applies

This limited warranty is the sole and exclusive warranty provided to You. No other express warranty, written or verbal, applies including, WITHOUT LIMITATION, WARRANTIES OF MERCHANTABILITY OR FITNESS FOR A PARTICULAR PURPOSE. No employee, agent, dealer, or other person is authorized to alter this limited warranty or make any other warranty on behalf of Us.

What We will do to Correct Problems

YOUR SOLE AND EXCLUSIVE REMEDY UNDER THIS LIMITED WARRANTY SHALL BE LIMITED TO REPAIR, REPLACEMENT, REFUND OF THE CRAFTSMAN PRODUCT.

After You have contacted CRAFTSMAN Product Customer Service Department, We will initiate warranty proceedings, including a physical inspection, subject to the exclusions and the Warranty Period stated herein, to determine whether to repair or replace the CRAFTSMAN Product or provide You with a refund.

The decision to repair or replace your CRAFTSMAN Product or to provide a refund is at Our sole discretion. Repair or replacements provided to You by ETC are at no cost to You if covered under this limited warranty.

If we are unable to provide You with a suitable repaired or replacement CRAFTSMAN Product, we will provide you with a refund equal to the purchase price of your CRAFTSMAN Product or a credit to be used toward the purchase of a new CRAFTSMAN Product.

In the event of any dispute between CUSTOMER AND US, either party may choose to resolve the dispute by binding arbitration. THIS MEANS IF EITHER CUSTOMER OR US CHOOSE BINDING ARBITRATION, NEITHER PARTY SHALL HAVE THE RIGHT TO LITIGATE SUCH CLAIM IN COURT OR HAVE A JURY TRIAL. DISCOVERY AND APPEAL RIGHTS ARE LIMITED.

This limited warranty gives you specific legal rights, and you may also have other rights, which vary from State to State. Some states do not allow the exclusion of incidental or consequential damages, so the above limitation may not apply.



CRAFTSMAN®

is a registered trademark of Stanley Black & Decker, Inc., used under license.
es una marca registrada de Stanley Black & Decker, Inc., utilizada bajo licencia.
est une marque déposée de Stanley Black & Decker, Inc., utilisée sous licence.

© 2019 CRAFTSMAN

Product Manufactured by:	EMERSON TOOL COMPANY
Producto fabricado por:	8100 W. Florissant • St. Louis, MO 63136
Produit fabriqué par:	U.S. & Canada Only • É.-U. et Canada seulement



Définitions : Termes et symboles d'alertes de sécurité

Ce Guide d'utilisation utilise les termes et symboles d'alertes de sécurité suivants pour vous prévenir en cas de situations dangereuses et de risque de blessures ou de dommages matériels.

⚠ DANGER : Indique une situation dangereuse imminente qui, si elle n'est pas évitée, causera la mort ou une blessure grave.

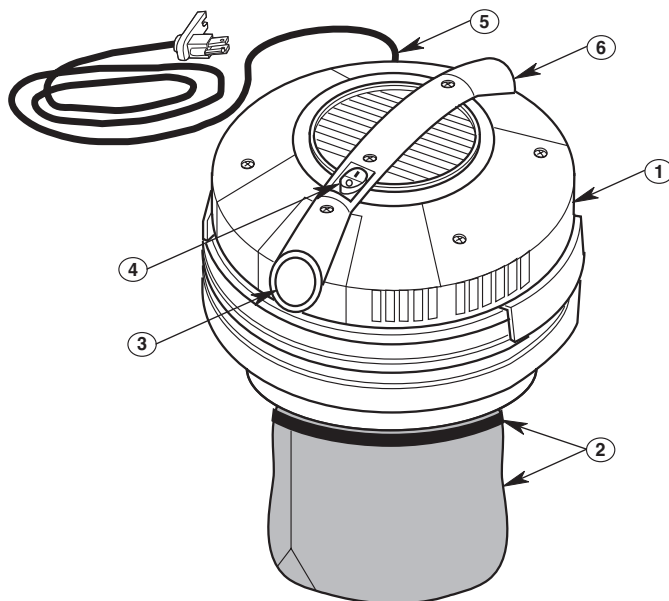
⚠ AVERTISSEMENT : Indique une situation pouvant être dangereuse qui, si elle n'est pas évitée, risque de causer la mort ou une blessure grave.

⚠ MISE EN GARDE : Indique une situation dangereuse qui, si elle n'est pas évitée, pourrait causer une blessure mineure ou modérée.

⚠ (Utilisé sans terme) Indique un message relatif à la sécurité.

AVIS : Indique une pratique non associée à un risque de blessure qui, si l'on n'en tient pas compte, pourrait causer des dommages matériels.

Fig. A



Composants

- ① Ensemble du bloc-moteur
- ② Sac filtrant et bande de retenue élastique
- ③ Orifice d'admission
- ④ Interrupteur de MARCHÉ/ARRÊT
- ⑤ Cordon d'alimentation
- ⑥ Orifice de soufflerie

⚠ AVERTISSEMENT : Lisez tous les avertissements relatifs à la sécurité et toutes les instructions associées. Le non-respect des avertissements et des instructions pourrait causer un choc électrique, un incendie et/ou des blessures graves.

⚠ AVERTISSEMENT : Ne modifiez jamais le produit ou toute partie de celui-ci. Ceci pourrait causer une blessure ou des dommages matériels.

⚠ AVERTISSEMENT : Pour réduire le risque de blessure, lisez le Guide d'utilisation.

En cas de questions ou de commentaires au sujet de ce produit ou de tout autre produit, téléphonez à CRAFTSMAN au numéro suivant (appel gratuit) :
1-888-331-4569.

INSTRUCTIONS IMPORTANTES RELATIVES À LA SÉCURITÉ

Des précautions de sécurité élémentaires doivent être prises lors de l'utilisation de cet aspirateur, notamment les précautions suivantes :

▲ AVERTISSEMENT :

Pour réduire le risque d'incendie, de choc électrique ou de blessure:

- Lisez et comprenez ce manuel et toutes les étiquettes placées sur l'aspirateur avant de mettre celui-ci en marche.
- N'utilisez l'aspirateur que comme cela est décrit dans ce Guide d'utilisation.
- Ne laissez pas en marche pendant que vous êtes absent - vous risqueriez de manquer des signes importants indiquant un fonctionnement anormal, comme une perte de puissance d'aspiration, la sortie de débris ou de liquides par la bouche de soufflage d'air ou des bruits anormaux en provenance du moteur. Cessez immédiatement d'utiliser l'aspirateur si vous constatez de tels signes.
- Ne laissez pas l'aspirateur sans surveillance quand il est branché dans une prise de courant. Débranchez-le de la prise quand il n'est pas utilisé et avant toute opération de maintenance.
- **POUR RÉDUIRE LE RISQUE DE CHOC ÉLECTRIQUE, UTILISEZ SEULEMENT DES SEAUX AVEC LES NUMÉROS DE RÉFÉRENCE CUP SUIVANTS :**
ACE® - 0 28901 08836 3,
Amazon - 8 84305 35557 7,
Lowe's® - 0 51596 10055 1,
Tractor Supply Company® - 0 12891 95001 2,
0 64784 73118 5,
Menards® - 0 17581 30505 9,
CANAC® - 2 01102 14080 3,
Canadian Tire - 6 28076 19101 1,
Orchard Supply Hardware® - 26703 05500 0,
The Home Depot® - 0 26703 05555 0,
0 84305 35554 6, 0 62602 00582 1,
ou 7 501058 56159 6.
- Des étincelles à l'intérieur du moteur pourraient mettre le feu à des vapeurs ou poussières inflammables. Pour réduire le risque d'incendie ou d'explosion, ne pas utiliser à proximité de liquides, gaz ou poussières combustibles, comme de l'essence ou d'autres carburants, de l'essence pour briquets, des produits de nettoyage, des peintures à base d'huile, du gaz naturel, de la poussière de charbon, de la poussière de magnésium, de la poussière céréalière, de la poussière d'aluminium ou de la poudre noire. N'utilisez pas sur un seau qui contient des résidus de telles vapeurs ou poussières.
- N'aspirez jamais de quelconques matières en train de brûler ou des matières fumigènes, telles que des cigarettes, des allumettes ou des cendres chaudes.
- Videz le seau après chaque utilisation pour éviter le risque d'auto-inflammation des débris du seau. Les matériaux combustibles, tels que des chiffons ou de la sciure contenant des colorants ou de l'uréthane, peuvent être des sources d'une telle surchauffe.
- N'aspirez jamais de poussières de plaques de plâtre, de suie ou de cendres de cheminée froides ou de poussières très fines qui risqueraient d'être projetées à nouveau dans l'air ambiant.
- Pour réduire le risque d'inhalation de vapeurs toxiques, n'aspirez pas de matériaux toxiques ou dangereux, et n'utilisez pas à proximité de tels matériaux.

- Pour réduire le risque de choc électrique, n'exposez pas à la pluie et empêchez l'entrée de liquides dans le compartiment du moteur. Rangez à l'intérieur.
- Cet aspirateur de liquides et de poussières n'est pas conçu pour emploi par des personnes (y compris des enfants) ayant des capacités physiques, sensorielles ou mentales réduites, ou qui n'ont pas l'expérience ou les connaissances nécessaires, sauf en cas de supervision ou d'instructions sur l'utilisation de cet appareil par une personne responsable de leur sécurité.
- Ne laissez pas les enfants se servir de l'aspirateur comme d'un jouet. Il faut surveiller de très près quand il est utilisé par des enfants ou à proximité d'enfants.
- N'utilisez pas avec un filtre déchiré ou sans avoir installé de filtre, sauf quand vous aspirez des liquides, comme cela est décrit dans ce Guide d'utilisation. Des débris secs capturés par la roue risquent d'endommager le moteur ou d'être expulsés à nouveau dans l'air ambiant.
- Éteignez l'aspirateur avant de le débrancher.
- Pour réduire le risque de blessure pouvant être causée par une mise en marche accidentelle, débranchez le cordon d'alimentation avant de changer le filtre ou de le nettoyer.
- Ne débranchez pas en tirant sur le cordon. Pour débrancher, saisissez la fiche - pas le cordon.
- N'utilisez pas l'aspirateur avec une fiche, un cordon ou un autre composant endommagé. Si votre aspirateur ne fonctionne pas comme il faut, s'il manque des pièces, s'il quelqu'un l'a laissé tomber, s'il est endommagé, s'il a été laissé à l'extérieur ou s'il est tombé dans de l'eau, téléphonez au service d'assistance à la clientèle au 1-888-331-4569 (au Mexique 001-888-331-4569).
- Ne tirez pas l'aspirateur et ne le portez pas par son cordon, n'utilisez pas le cordon pour servir de poignée, ne fermez pas une porte sur le cordon et ne laissez pas le cordon tendu passer sur des bords ou des coins tranchants. Ne traînez pas l'aspirateur sur son cordon. Maintenez le cordon à distance des surfaces chauffées.
- Ne touchez pas la fiche, l'interrupteur ou l'aspirateur avec des mains mouillées.
- N'utilisez que des cordons de rallonge conçus pour un emploi à l'extérieur et ayant un conducteur de mise à la terre. Les cordons de rallonge en mauvais état ou dont les diamètres sont trop petits peuvent poser des risques d'incendie et de choc électrique. Pour réduire le risque de survenance de tels problèmes, vérifiez que le cordon est en bon état et qu'aucun liquide ne puisse entrer en contact avec la connexion. N'utilisez pas de cordon de rallonge avec des conducteurs de moins de 1,3 mm² (calibre 16 AWG) de diamètre.
- Raccorder à une prise de courant correctement mise à la terre. Voir instructions relatives à la mise à la terre.
- Ne mettez aucun objet dans les orifices de ventilation. N'aspirez pas quand de quelconques orifices de ventilation sont obstrués; assurez-vous que ces orifices ne sont pas bloqués par de la poussière, de la peluche, des cheveux ou de quelconques objets pouvant réduire la circulation de l'air.
- Gardez les cheveux, les vêtements flottants, les doigts et toutes les parties du corps à distance des orifices et des pièces mobiles.
- Pour réduire le risque de chute, faites très attention lorsque vous utilisez l'aspirateur dans des escaliers.
- Pour réduire le risque de basculement lorsque vous transportez l'ensemble par la poignée/l'étrier, assurez-vous que l'étrier est happé dans les rainures de retenue sur les verrous.

- Pour réduire le risque de blessure corporelle ou d'endommagement de l'aspirateur, n'utilisez que des accessoires compatibles avec la marque CRAFTSMAN.
- En cas d'utilisation de l'aspirateur comme soufflante :
 - Ne dirigez la décharge d'air vers la zone de travail.
 - Ne dirigez pas l'air vers des personnes présentes à proximité.
 - Gardez les enfants à distance lors du fonctionnement de la soufflante.
 - N'utilisez la soufflante que pour souffler des saletés et des débris.
 - N'utilisez pas en guise de pulvérisateur.
- Pour réduire le risque de blessure pour les yeux, portez des lunettes de sécurité. L'utilisation de toute soufflante ou de tout aspirateur utilitaire peut toujours causer la projection de corps étrangers dans les yeux, ce qui risque d'entraîner des blessures graves aux yeux.

⚠ AVERTISSEMENT :

Pour réduire le risque de blessure pouvant résulter d'une mauvaise connexion électrique entre la fiche de l'appareil et le cordon de rallonge, attachez fermement et complètement la fiche de l'appareil au cordon de rallonge. Vérifiez périodiquement la connexion pendant le fonctionnement pour assurer qu'elle est solide. Une mauvaise connexion pourrait causer une surchauffe et même un incendie, et elle augmenterait le risque de brûlure.

- Utilisez seulement des cordons de rallonge à trois fils prévus pour emploi à l'extérieur et munis de fiches de mise à la terre à trois broches ainsi que de prises de mise à la terre qui soient compatibles avec la fiche de l'appareil.
- Entretenez soigneusement cet appareil.

⚠ MISE EN GARDE :

- Pour réduire le risque de perte auditive, portez des protecteurs d'oreilles lorsque vous vous servez de l'aspirateur pendant plusieurs heures ou quand vous l'utilisez dans un endroit bruyant.
- Portez un masque antipoussières en cas d'utilisation dans un environnement poussiéreux.
- Les décharges statiques sont fréquentes dans les endroits secs ou lorsque l'humidité relative de l'air ambiant est faible. L'aspiration de débris fins avec votre aspirateur peut déposer une charge statique sur le tuyau ou sur l'aspirateur. La meilleure chose à faire pour réduire la fréquence des décharges statiques chez vous ou lorsque vous utilisez cet aspirateur consiste à ajouter de l'humidité dans l'air avec un humidificateur.

Observez les avertissements suivants qui figurent sur le carter du moteur de votre aspirateur :

⚠ AVERTISSEMENT :

- POUR RÉDUIRE LE RISQUE DE BLESSURE, L'UTILISATEUR DOIT LIRE LE MODE D'EMPLOI.
- POUR RÉDUIRE LE RISQUE DE CHOC ÉLECTRIQUE, UTILISEZ SEULEMENT DES SEAUX AVEC LES NUMÉROS DE RÉFÉRENCE CUP SUIVANTS :

ACE® - 0 28901 08836 3,
 Amazon - 8 84305 35557 7,
 Lowe's® - 0 51596 10055 1,
 Tractor Supply Company® - 0 12891 95001 2,
 0 64784 73118 5,
 Menards® - 0 17581 30505 9,
 CANAC® - 2 01102 14080 3,
 Canadian Tire - 6 28076 19101 1,
 Orchard Supply Hardware® - 26703 05500 0,
 The Home Depot® - 0 26703 05555 0,
 0 84305 35554 6, 0 62602 00582 1,
 ou 7 501058 56159 6.

- Ne laissez pas en marche sans surveillance.
- Ne ramassez pas de cendres chaudes, de charbon, de matériaux inflammables, combustibles / auto-inflammables, de matériaux toxiques ou d'autres matériaux dangereux, et ne l'utilisez pas à proximité de vapeurs ou de liquides explosifs, y compris des résidus laissés dans le seau.

⚠ AVERTISSEMENT :

- Pour votre propre sécurité, lisez et comprenez le manuel de l'opérateur.
- Ne laissez jamais l'aspirateur en marche sans surveillance.
- Ne ramassez pas de cendres chaudes, de charbon, de matériaux inflammables, combustibles/auto-inflammables, de matériaux toxiques ou d'autres matériaux dangereux.
- Ne pas utiliser à proximité de vapeurs ou de liquides explosifs.

⚠ AVERTISSEMENT :

Pour réduire le risque de choc électrique - n'exposez pas à la pluie - rangez à l'intérieur.

REMPLACEMENT GRATUIT DE L'ÉTIQUETTE

D'AVERTISSEMENT : Si vos étiquettes d'avertissement deviennent illisibles ou sont manquantes, téléphonez au **1-888-331-4569** pour obtenir un remplacement gratuit.

CONSERVER CES INSTRUCTIONS

INTRODUCTION

Cet ensemble de bloc-moteur ne doit être utilisé qu'avec un seau en plastique de 19 litres (5 gallons US) d'environ 368 mm (14-1/2 po) de haut, avec un diamètre supérieur de 298 mm (11-3/4 po) et une poignée en fil d'acier de calibre 10 de type « balle ». Ce seau est disponible auprès de nombreux magasins de rénovation indiqués dans le mode d'emploi. Avec ce seau, vous avez un aspirateur qui est conçu pour un emploi résidentiel.

Il peut être utilisé pour aspirer de petites quantités de résidus ou de petits volumes de liquides, et il peut aussi être employé comme soufflante. Sa conception légère permet de l'utiliser pour de nombreux petits travaux d'aspiration à la maison. Familiarisez-vous avec ce produit et lisez-en tout le mode d'emploi pour apprendre des usages spécifiques de votre nouvel aspirateur de liquides et de poussières.

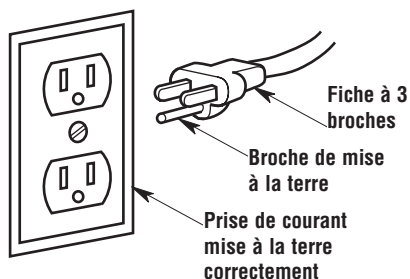
TABLE DES MATIÈRES

Sujet	Page	Sujet	Page
Instructions importantes relatives à la sécurité	17-19	Aspiration de matériaux secs	26
Introduction	20	Aspiration de liquides	26
Instructions relatives à la mise à la terre	21	Vidage du seau	27
Contenu de la boîte en carton	22	Fonction de soufflante	27
Installation	23-24	Entretien	28
Montage du bloc-moteur	23	Nettoyage du sac filtrant	28
Démontage du bloc-moteur	23	Retrait et remplacement du sac filtrant	28
Insertion du tuyau	24	Rangement	29
Rangement du cordon d'alimentation	24	Nettoyage et désinfection de l'aspirateur de liquides et de poussières	29
Rangement de l'ensemble de tuyau flexible	24	Localisation de la cause des problèmes	29
Fonctionnement	25-27	Garantie	30
Interrupteur de MARCHE/ARRÊT	25		

INSTRUCTIONS RELATIVES À LA MISE À LA TERRE

Cet aspirateur doit être mis à la terre. En cas de problème électrique, la mise à la terre fournit un chemin de moindre résistance pour le courant électrique afin de réduire le risque de choc électrique. Cet aspirateur est muni d'un cordon ayant un conducteur de mise à la terre de l'équipement et d'une fiche de mise à la terre. La fiche doit être insérée dans une prise appropriée qui est installée correctement et mise à la terre conformément à tous les codes et règlements municipaux.

Fig. B



AVERTISSEMENT :

Un raccordement inadéquat du conducteur de mise à la terre de l'équipement risque de produire un risque de choc électrique. Consultez un électricien professionnel ou un réparateur compétent en la matière si vous avez le moindre doute quant à la mise à la terre de la prise de courant. Ne modifiez pas la fiche fournie avec cet aspirateur - si elle ne tient pas dans la prise de courant, demandez à un électricien professionnel d'installer une prise de courant avec mise à la terre conforme aux stipulations du code.

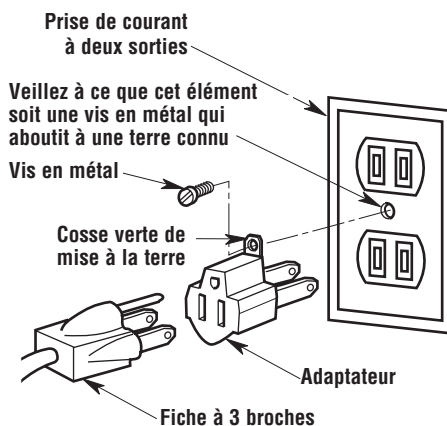
Cet aspirateur est conçu en vue d'un emploi sur un circuit de 120 volts de valeur nominale, et il a une fiche de mise à la terre qui ressemble à la fiche figurant sur l'illustration.

Un adaptateur temporaire ressemblant à celui qui est illustré peut être utilisé pour raccorder cette fiche à une prise à deux broches, telle que celle qui est illustrée. S'il n'existe pas de prise de courant correctement mise à la terre, l'adaptateur temporaire peut être utilisé, mais seulement jusqu'à ce qu'une prise de courant correctement mise à la terre puisse être installée par un électricien professionnel.

La cosse, la saillie ou tout autre élément de couleur verte sortant de l'adaptateur doit être raccordé à une terre permanente telle qu'un cache de coffret de prise de courant correctement mise à la terre. Quand il est utilisé, l'adaptateur doit être maintenu en place par une vis en métal.

REMARQUE : Au Canada, le Code national d'électricité interdit l'utilisation d'un adaptateur temporaire.

Fig. C



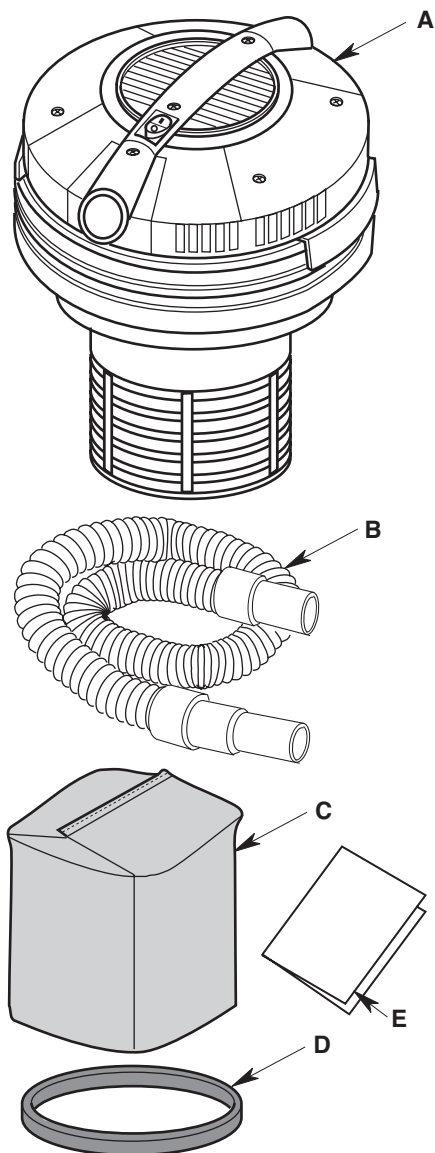
CONTENU DE LA BOÎTE EN CARTON (Fig. D)

Retirez tous les éléments se trouvant dans la boîte en carton. Inspectez chaque élément en le comparant à la liste incluse dans la boîte en carton.

Si de quelconques composants sont endommagés ou manquants, téléphonez immédiatement au service clientèle au 1-888-331-4569 (au Mexique 001-888-331-4569).

Lég.	Description	Qté.
A	Ensemble du bloc-moteur	1
B	Ensemble de tuyau flexible	1
C	Sac filtrant	1
D	Bande de retenue élastique	1
E	Guide d'utilisation	1

Fig. D



Le sac filtrant et la bande de retenue élastique peuvent avoir déjà été assemblés.

REMARQUE : Voir la liste des pièces de rechange pour le numéro de pièce.

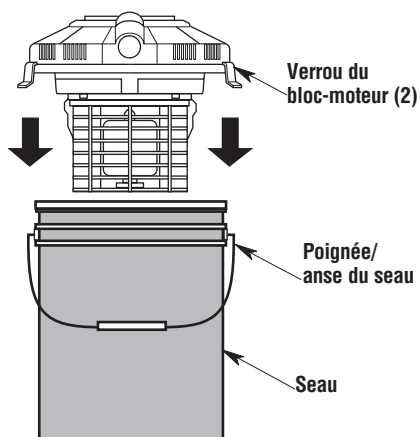
INSTALLATION

Montage du bloc-moteur (Figs. E & F)

1. Alignez les verrous de l'ensemble de bloc-moteur avec la poignée/l'étrier du seau.
2. Appuyez fermement sur chaque verrou pour engager les verrous avec le seau.

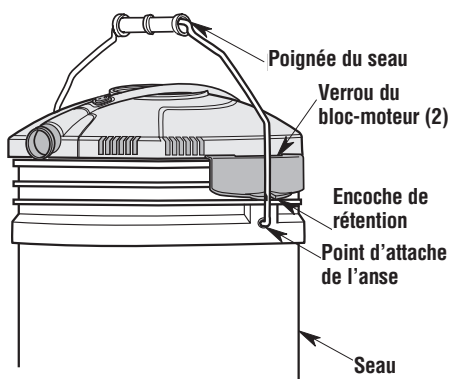
Fig. E

*L'installation illustrée est pour le ramassage de déchets humides.



3. Soulevez la poignée/l'anse du seau afin de la faire entrer dans les encoches de rétention des verrous.

Fig. F

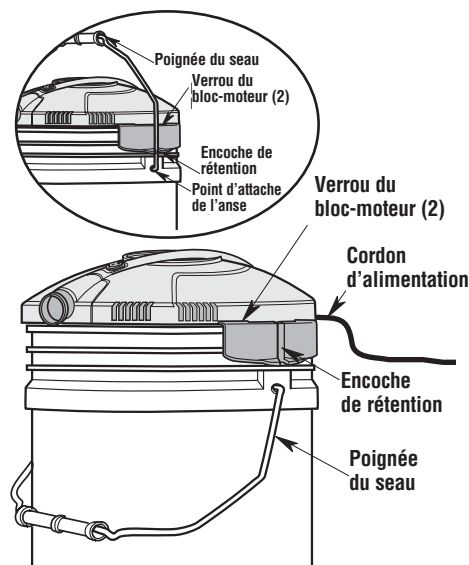


Démontage du bloc-moteur (Fig. G)

1. Pour retirer l'ensemble de bloc-moteur du seau, commencez par débrancher le cordon d'alimentation de la prise murale.
2. Retirez le tuyau flexible l'ensemble de bloc-moteur et faites tourner la poignée/l'anse du seau dans le sens opposé à celui du cordon d'alimentation.
3. Écartez un peu les deux loquets de verrouillage pour les éloigner du seau.
4. Soulevez l'ensemble de bloc-moteur pour le détacher du seau.

REMARQUE : Pour réduire le risque de renversement lors du transport par la poignée/balle, alignez les loquets de verrouillage du bloc-moteur au-dessus des points d'attache des balles et assurez-vous que la balle est bien enclenchée dans les encoches de rétention des loquets.

Fig. G

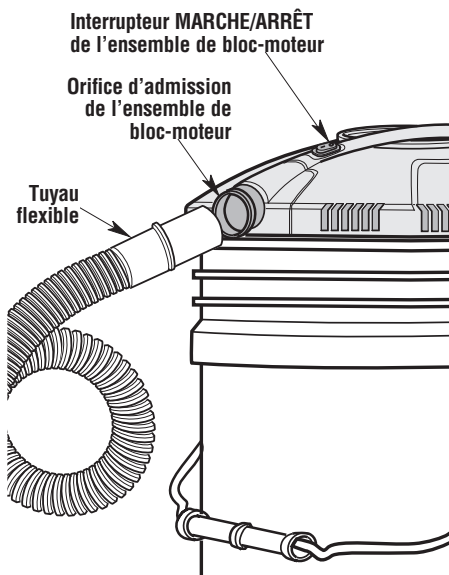


Insertion du tuyau (Fig. H)

Insérez l'ensemble de tuyau flexible dans l'orifice d'admission de l'ensemble de bloc-moteur (situé près de l'interrupteur). Le tuyau flexible devrait alors être bien en place.

Retrait de l'ensemble de tuyau flexible de l'ensemble de bloc-moteur : Tournez et tirez sur l'ensemble de tuyau flexible pour faire sortir le tuyau de l'orifice d'admission de l'ensemble de bloc-moteur.

Fig. H

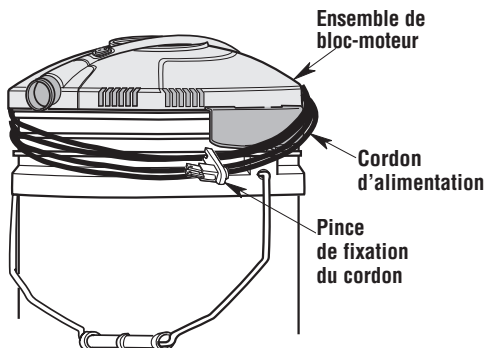


Rangement du cordon d'alimentation (Fig. I)

Le cordon d'alimentation doit être enroulé autour de l'ensemble de bloc-moteur.

Placez la pince de fixation du cordon sur le cordon d'alimentation pour le sécuriser.

Fig. I



Rangement de l'ensemble de tuyau flexible (Fig. J)

L'ensemble de tuyau flexible peut également être rangé à l'intérieur du seau de l'aspirateur.

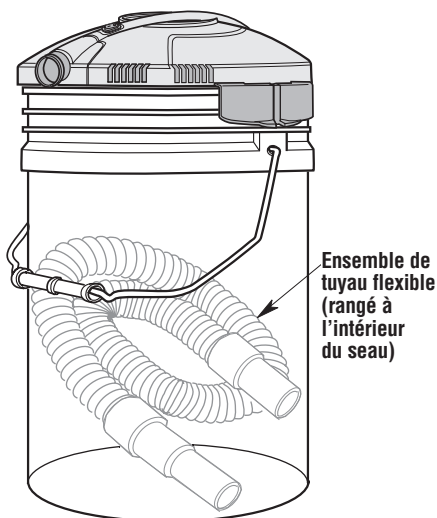
⚠ MISE EN GARDE :

Ne vous servez pas de l'aspirateur pendant que le tuyau flexible ou les accessoires sont rangés à l'intérieur du seau de l'aspirateur de liquides et de poussières.

⚠ AVERTISSEMENT :

Ne placez aucun objet dans les orifices de ventilation. N'aspirez pas quand l'un quelconque des orifices de ventilation est bouché; ne laissez pas s'accumuler de la poussière, de la peluche, des cheveux ou tous autres objets qui pourraient réduire la circulation d'air.

Fig. J



FONCTIONNEMENT

▲ AVERTISSEMENT :

Pour réduire le risque d'incendie, d'explosion ou d'endommagement de l'aspirateur :

- Ne laissez pas en marche pendant que vous êtes absent – vous pourriez manquer des signes importants indiquant un fonctionnement anormal, comme une perte de puissance d'aspiration, la sortie de débris ou de liquides par la bouche de soufflage d'air ou des bruits anormaux en provenance du moteur. Cessez immédiatement d'utiliser l'aspirateur si vous constatez de tels signes.
- Ne laissez pas l'aspirateur branché lorsque vous ne l'utilisez pas.
- Ne continuez pas à utiliser l'aspirateur lorsque le flotteur a coupé l'aspiration.
- Les étincelles à l'intérieur du moteur risqueraient de mettre feu à des matières inflammables en suspension dans l'air. Ne pas utiliser l'aspirateur à proximité de liquides inflammables ou à des endroits où il y a des gaz ou des vapeurs inflammables, ou de la poussière explosive dans l'air. Les liquides, gaz et vapeurs inflammables comprennent : essence à briquet, produits de nettoyage du type solvant, peinture à base d'huile, essence, alcool et aérosols. Types de poussières explosives : charbon, magnésium, aluminium, céréales et poudre noire.
- N'aspirez pas de poussières explosives, de liquides inflammables ou de cendres chaudes.
- Ne laissez pas de sciure ou de chiffons avec des taches ou des résidus de polyuréthane à l'intérieur du ventilateur. Videz le seau après avoir retiré ce type de matériaux, qui ont tendance à chauffer de manière autonome.

▲ AVERTISSEMENT :

Pour réduire le risque de choc électrique ou de blessure :

- N'exposez pas à la pluie, et ne laissez pas de liquides pénétrer dans le compartiment du moteur. Rangez à l'intérieur.
- Ne touchez pas la fiche de branchement, l'interrupteur ou l'aspirateur si vous avez les mains mouillées.
- Débranchez l'aspirateur avant toute opération d'entretien sur celui-ci. Si votre aspirateur ne fonctionne pas comme il devrait, s'il manque des pièces, s'il est tombé par terre ou a été endommagé, s'il a été laissé à l'extérieur ou s'il est tombé dans de l'eau, téléphonez au service d'assistance à la clientèle au 1-888-331-4569 (au Mexique 001-888-331-4569).
- Lorsque vous utilisez un cordon de rallonge, n'utilisez qu'un cordon prévu pour emploi à l'extérieur et en bon état. Ne laissez pas la connexion entrer en contact avec des liquides.

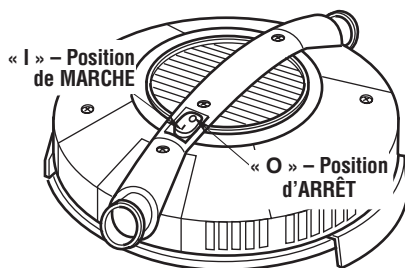
▲ MISE EN GARDE :

Pour réduire le risque de dommages auditifs, portez des protège-oreilles lorsque vous utilisez l'aspirateur/souffleur pendant une période prolongée ou dans une zone bruyante.

Interrupteur de MARCHE/ARRÊT (Fig. K)

Avec le cordon d'alimentation branché, mettez l'aspirateur en marche en appuyant sur le « I » sur l'interrupteur d'alimentation. Pour l'arrêter, appuyez sur le « O » sur l'interrupteur d'alimentation. Les deux symboles internationaux qui figurent sur l'interrupteur indiquent, respectivement, la position de marche et la position d'arrêt de votre aspirateur.

○ = ARRÊT | = MARCHE



Aspiration de matériaux secs (Fig. L)

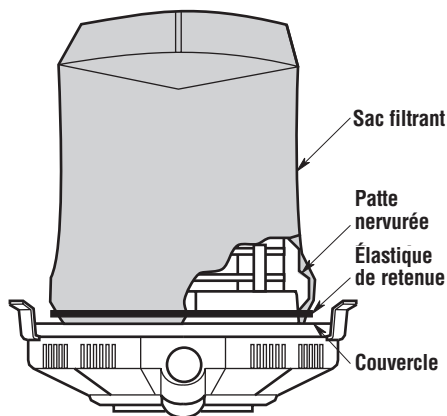
1. Le sac filtrant doit toujours être dans la position correcte pour réduire le risque de fuites et d'endommagement de l'aspirateur. Assurez-vous que le sac filtrant recouvre complètement la cage du filtre et que la bande élastique de retenue est aussi près que possible de l'ensemble de bloc-moteur. Assurez-vous qu'il n'y a pas d'écart entre le sac filtrant et l'ensemble de bloc-moteur.

REMARQUE : Il est très important d'attacher le sac filtrant à la cage sans causer de déchirures ou créer de risques de fuites. La présence de fuites aurait pour effet que les déchets ramassés soient projetés à travers l'orifice de soufflerie dans l'environnement ambiant.

2. Lorsque vous utilisez votre aspirateur pour ramasser de la poussière très fine, il vous sera nécessaire de vider le seau à poussière et de nettoyer ou de remplacer le sac filtrant à des intervalles plus fréquents afin de maintenir les performances optimales de l'aspirateur. Voir la rubrique « Remplacement du filtre » dans la section consacrée à la maintenance pour plus de détails à ce sujet.

REMARQUE : Un sac filtrant sec est nécessaire pour ramasser les déchets secs. Si vous utilisez votre aspirateur pour ramasser de la poussière lorsque le sac filtrant est mouillé, le sac filtrant se bouchera rapidement et sera très difficile à nettoyer. Si le sac filtrant est mouillé, remplacez-le avant de continuer à ramasser des déchets secs.

Fig. L



Aspiration de liquides (Fig. M)

⚠ AVERTISSEMENT :

Ne retirez ni la cage, ni le flotteur. Le flotteur empêche le liquide de pénétrer dans le rotor et d'endommager le moteur. La cage empêche les doigts d'entrer en contact avec le rotor quand il est en train de tourner.

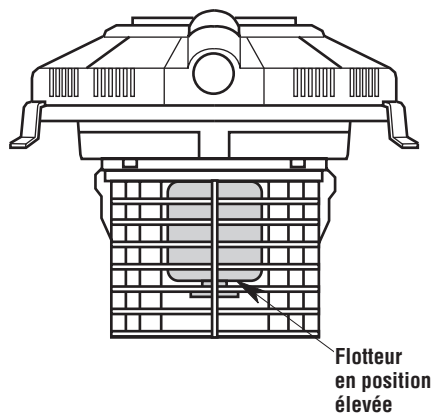
⚠ AVERTISSEMENT :

Pour réduire le risque d'incendie ou d'explosion, n'aspirez pas de liquides, gaz ou poussières inflammables ou combustibles.

1. Il est vivement recommandé de retirer le sac filtrant pour le ramassage de déchets humides.
2. Cet aspirateur de déchets secs/humides est muni d'un flotteur qui montera automatiquement pour couper la circulation d'air lorsque le liquide présent dans le seau aura atteint un niveau prédéterminé. Lorsque ceci se produit, éteignez l'aspirateur, débranchez le cordon d'alimentation et videz le seau à poussière. Vous saurez que la circulation d'air a été coupée par le flotteur lorsque l'aspiration cessera et le bruit produit par le moteur sera devenu plus aigu en raison de la vitesse accrue du moteur. La capacité de liquide peut varier en fonction du taux de ramassage.
3. Si un sac filtrant a été utilisé pour le ramassage de déchets humides, n'oubliez pas de remplacer le sac filtrant après ce ramassage de déchets humides. Ne ramassez jamais de déchets secs sans avoir installé correctement le sac filtrant au préalable.

IMPORTANT : Pour réduire les risques d'endommager l'aspirateur, ne faites pas fonctionner le moteur quand le flotteur est dans la position élevée.

Fig. M



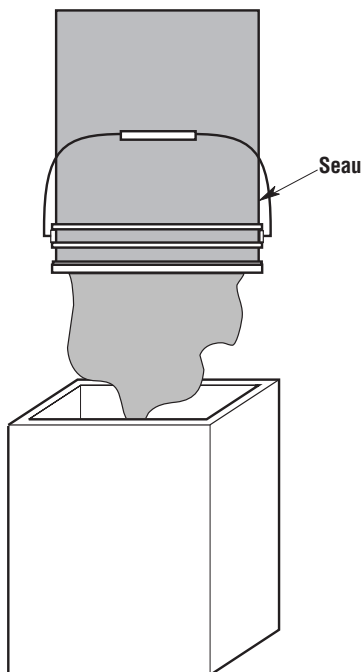
Vidage du seau (Fig. N)

⚠ AVERTISSEMENT :

Pour réduire le risque de blessure pouvant être causée par un démarrage accidentel, débranchez le cordon électrique de la prise de courant avant de vider le seau.

1. Retirez l'ensemble de bloc-moteur. Tirez les loquets de verrouillage de l'ensemble de bloc-moteur vers l'extérieur pour le détacher du seau.
2. Soulevez l'ensemble de bloc-moteur en l'éloignant du seau.
3. Déposez l'ensemble de bloc-moteur sens dessus-dessous sur une surface propre pendant que vous videz le seau.
4. Videz le contenu du seau dans un récipient approprié pour l'élimination des déchets.

Fig. N



Fonction de soufflante (Fig. O)

Votre aspirateur est muni d'un orifice de soufflante. Il peut souffler de la sciure de bois et autres débris. Suivre la procédure indiquée ci-dessous pour utiliser l'aspirateur comme une soufflerie.

1. Localisez l'orifice de soufflerie à l'arrière de votre ensemble de bloc-moteur.
2. Insérez l'extrémité verrouillable de l'ensemble de tuyau flexible à l'intérieur de l'orifice de soufflerie de l'ensemble de bloc-moteur. Un bruit sec indiquera que le tuyau est correctement en place.
Pour détacher le tuyau flexible de l'ensemble de bloc-moteur : Tournez et tirez sur l'ensemble de tuyau flexible pour faire sortir le tuyau de l'orifice d'admission de l'ensemble de bloc-moteur.
3. (Facultatif) Fixez la bague de rallonge sur l'extrémité opposée du tuyau.
4. Mettre l'ensemble de bloc-moteur en MARCHE - l'aspirateur peut désormais être utilisé comme soufflerie.

⚠ AVERTISSEMENT :

Il faut toujours porter des lunettes de protection conformes à la norme ANSI Z87.1 (ou, au Canada, CSA Z94.3) avant de se servir de l'aspirateur comme une soufflerie.

⚠ AVERTISSEMENT :

Pour ne pas risquer de causer des blessures à d'autres personnes, il est recommandé de leur demander de rester à distance suffisante des débris soufflés.

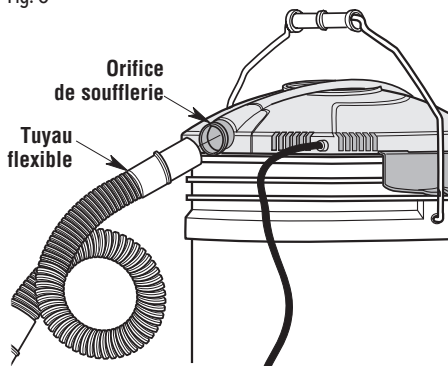
⚠ MISE EN GARDE :

Portez un masque anti-poussière si votre soufflage crée de la poussière qui pourrait être aspirée.

⚠ MISE EN GARDE :

Pour réduire le risque d'endommagement de l'ouïe, portez des protecteurs d'oreilles quand vous utilisez l'aspirateur/la souffeuse pendant de longues périodes ou quand vous l'utilisez dans un environnement bruyant.

Fig. O



ENTRETIEN

Nettoyage du sac filtrant

AVERTISSEMENT :

Pour réduire le risque de blessure en raison d'une mise en marche accidentelle, débrancher le cordon électrique avant de remplacer le filtre ou de le nettoyer.

Il faut nettoyer souvent le filtre pour ne pas affecter la performance optimale de l'aspirateur.

Après avoir retiré le sac filtrant sale de l'ensemble de bloc-moteur, retirez les déchets secs en tapotant doucement le filtre contre la paroi intérieure de votre conteneur de déchets.

REMARQUE : Nettoyez le sac filtrant dans un endroit ouvert. Le nettoyage doit être effectué à l'extérieur, et non à un endroit où des gens habitent.

IMPORTANT : Après tout nettoyage, inspectez le sac filtrant pour vous assurer qu'il n'est pas déchiré ou qu'il n'y a pas de petits trous. Des déchirures et des trous dans le sac filtrant pourraient causer l'éjection dans l'air ambiant de débris et de poussière se trouvant dans l'aspirateur. N'utilisez pas un sac filtrant déchiré ou comportant des trous. Remplacez-le immédiatement.

Retrait et remplacement du filtre (Fig. P)

IMPORTANT : Pour éviter d'endommager la roue de la soufflante et le moteur, réinstallez toujours le sac filtrant avant d'utiliser l'aspirateur pour ramasser des débris secs.

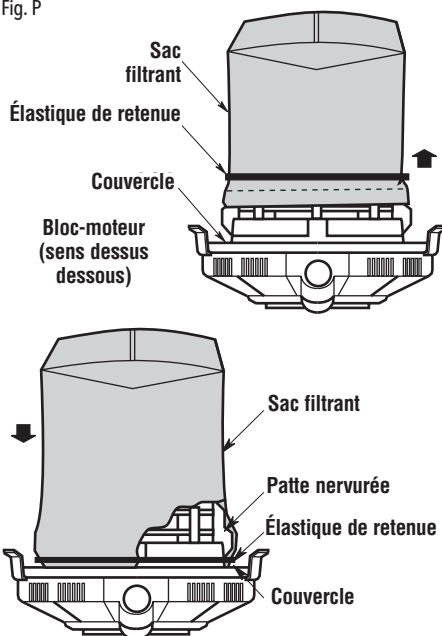
1. Étendez la bande de retenue élastique autour des chevilles en plastique sur l'ensemble de bloc-moteur.
2. Retirez le sac filtrant de la cage de filtre.
3. Placez le sac filtrant de rechange sur la cage de filtre jusqu'à ce que le bout ouvert entre en contact avec le fond de l'ensemble de bloc-moteur.
4. Détachez la bande de retenue élastique de la cheville en plastique sur l'ensemble de bloc-moteur assujettissant le sac filtrant à l'ensemble de bloc-moteur.
5. Assurez-vous que la bande de retenue élastique est positionnée sur le sac filtrant entre les traits imprimés.

REMARQUE : Voir la liste des pièces de rechange pour le numéro de pièce.

REMARQUE : Avant d'installer le sac filtrant sur l'aspirateur, nettoyez la zone de l'ensemble de bloc-moteur de sorte que la bande de retenue élastique scelle le sac contre l'ensemble de bloc-moteur et empêche les petites particules de contourner le sac filtrant.

Si le sac filtrant est propre et n'est pas endommagé, remettez-le sur la cage du filtre. S'il ne peut pas être réutilisé, placez un nouveau sac filtrant en dessus de la cage du filtre.

Fig. P



Rangement

Avant de ranger votre aspirateur, vous devez vider et nettoyer le seau. Le cordon d'alimentation doit être enroulé autour de la poignée de transport et le tuyau flexible doit être rangé conformément à ce qui est décrit dans ce Guide d'utilisation. Vous devez garder les accessoires au même endroit que l'aspirateur de façon à pouvoir y accéder facilement. Vous devez ranger l'aspirateur à l'intérieur d'un bâtiment.

Nettoyage et désinfection de l'aspirateur de liquides et de poussières

Pour conserver l'esthétique optimale de votre aspirateur de poussières et de liquides, nettoyez la surface extérieure de l'aspirateur à l'aide d'un chiffon imbibé d'eau tiède savonneuse.

Procédure de nettoyage du seau :

1. Vider les débris.
2. Nettoyez soigneusement le seau à poussière à l'aide d'un savon doux et d'eau tiède.
3. Essuyer avec un chiffon sec.

Avant de ranger l'aspirateur pour une période prolongée, ou dans les cas nécessaires (par exemple après l'aspiration d'eaux usées), vous devez désinfecter le seau.

Pour désinfecter le seau :

1. Versez 4 litres (1 gallon) d'eau et 5 ml (1 cuillerée) à thé de produit de blanchiment au chlore dans le seau.
2. Laissez la solution agir pendant 20 minutes, en remuant doucement de temps à autre pour vous assurer que toutes les surfaces du seau restent humides.
3. Videz le seau au bout de 20 minutes. Rincez à l'eau jusqu'à ce que l'odeur d'eau de javel ait disparu. Laissez sécher le seau complètement avant de sceller le moteur sur le seau.

⚠ AVERTISSEMENT :

Pour assurer la SÉCURITÉ et la FIABILITÉ du produit, toutes les autres opérations de maintenance, de réparation et de réglage doivent être effectuées par des centres de service agréés utilisant toujours des pièces de rechange CRAFTSMAN.

Localisation de la cause des problèmes

Problème	Cause	Solution
L'aspirateur n'aspire pas.	<ol style="list-style-type: none">1. Filtre bouché2. Tuyau obturé3. Fuite d'air	<ol style="list-style-type: none">1. Nettoyez le sac filtrant ou remplacez-le (en suivant les instructions de la page 28).2. Retirez le tuyau et enlevez les débris.3. Assurez-vous que le bloc-moteur est solidement attaché au seau.
L'aspirateur ne fonctionne pas.	<ol style="list-style-type: none">1. Pas d'électricité	<ol style="list-style-type: none">1. Veillez à ce que la prise de courant soit sous tension (vous devrez peut-être faire appel à un électricien qualifié).

⚠ AVERTISSEMENT :

Au cas où les éléments de l'ensemble de tête du moteur seraient endommagés ou se détacheraient, exposant ainsi des éléments du moteur ou des composants électriques, vous devez cesser immédiatement d'utiliser l'aspirateur afin de réduire le risque de blessures personnelles ou d'endommagement supplémentaire de l'aspirateur. Cet aspirateur ne contient pas de pièces pouvant être remplacées par l'utilisateur, à l'exception du filtre.

Aspirateur de liquides et de poussières avec bloc-moteur à dépression

Modèle N° : CMXEVB176780

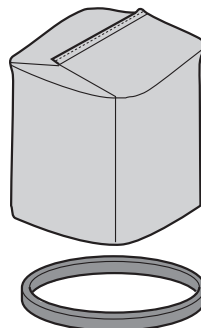
Caractéristiques électriques nominales : 120 V~ 4 A 60 Hz

Sac filtrant de rechange (Fig. R)

Des sacs filtrants de rechange sont disponibles à l'endroit où vous avez acheté votre aspirateur.

Le numéro de référence CMXZVB38737.

Fig. R



GARANTIE LIMITÉE CRAFTSMAN® - 3 ANS

La présente garantie limitée est accordée par Emerson Tool Company, une division d'Emerson Electric Co. (« Nous » ou « Notre » ou « Nos »), au consommateur propriétaire d'origine (« Client » ou « Vous » ou « Votre » ou « Vos ») du produit CRAFTSMAN avec lequel cette garantie limitée est accordée (le « Produit CRAFTSMAN »).

Ce qui est couvert

Nous Vous garantissons que Votre Produit CRAFTSMAN ne comporte aucun défaut de matériau ou de façon quand il est utilisé dans des conditions normales conformément aux dispositions du Guide d'utilisation qui Vous a été fourni avec le Produit CRAFTSMAN, sous réserve des exclusions décrites ci-dessous, pour une durée de trois ans commençant à la date de l'achat par Vous (la « Période de garantie »). La présente garantie limitée prend fin automatiquement si l'acheteur d'origine cède le Produit CRAFTSMAN à une autre personne ou entité.

Ce qui n'est pas couvert

La présente garantie limitée ne couvre pas ce qui suit et exclut expressément :

- L'usure normale et/ou les attachements ou accessoires de rechange, y compris, sans toutefois s'y limiter, les cordons d'alimentation, les tuyaux flexibles, les filtres et les autres attachements ou accessoires qui peuvent être vendus par Nous en vue d'emploi avec le Produit CRAFTSMAN.
- L'endommagement ou la détérioration du moteur du Produit CRAFTSMAN résultant du fait qu'un blocage clair survenu pendant le fonctionnement normal n'a pas été éliminé.
- La perte ou l'endommagement du Produit CRAFTSMAN en conséquence de conditions qui sont au-delà de Notre contrôle, y compris, sans toutefois s'y limiter, une utilisation non conforme aux instructions, un accident, un abus, de la négligence, une faute (par quiconque autre que Nous), une utilisation excessive au-delà de la capacité prévue et indiquée dans le Guide d'utilisation, ou des modifications ou des altérations effectuées par quiconque autre que Nous.
- La perte ou l'endommagement du Produit CRAFTSMAN en conséquence du fait que le Produit CRAFTSMAN n'a pas été utilisé conformément aux instructions ou directives écrites, ou aux conditions et modalités figurant dans le Guide d'utilisation.
- DANS LA MESURE AUTORISÉE PAR LA LOI, NOUS N'ASSUMERONS AUCUNE RESPONSABILITÉ EN CAS DE DOMMAGES SECONDAIRES, SPÉCIAUX, INDIRECTS OU ACCESSOIRES, Y COMPRIS DES PERTES ÉCONOMIQUES, EN CONSÉQUENCE DE L'ABSENCE DE FONCTIONNEMENT, DE L'UTILISATION, D'UNE UTILISATION ABUSIVE OU DE L'IMPOSSIBILITÉ D'UTILISATION DU PRODUIT CRAFTSMAN, OU POUR DES NÉGLIGENCE D'ETC.

Comment faire valoir ses droits à la garantie

États-Unis et Canada - Pour obtenir le bénéfice de la garantie, contactez-nous par un appel gratuit au 1-888-331-4569 (au Mexique 001-888-331-4569). Nous vous orienterons vers le centre de service après-vente le plus proche pour que vous puissiez y faire examiner votre aspirateur gratuitement pour une inspection, des réparations ou le remplacement de composants.

Mexique - Pour obtenir le bénéfice de la garantie, contactez-nous par un appel gratuit au 001-888-331-4569. Nous vous orienterons vers le centre de service après-vente le plus proche pour que vous puissiez y faire examiner votre aspirateur gratuitement pour une inspection, des réparations ou le remplacement de composants.

Aucune autre garantie ne s'applique

La présente garantie limitée est la garantie unique et exclusive qui Vous est accordée. Aucune autre garantie expresse, écrite ou verbale, ne s'applique, y compris, SANS LIMITATION, DES GARANTIES DE QUALITÉ MARCHANDE OU D'ADÉQUATION À UN BUT PARTICULIER. Aucun employé, agent, distributeur ou autre personne n'est autorisé à altérer cette garantie limitée ou à accorder une quelconque autre garantie en Notre nom.

Ce que ferons pour résoudre les problèmes

VOTRE REMÈDE UNIQUE ET EXCLUSIF EN VERTU DE LA PRÉSENTE GARANTIE LIMITÉE EST LIMITÉ À LA RÉPARATION, AU REMPLACEMENT OU AU REMBOURSEMENT DU PRODUIT CRAFTSMAN.

Après que vous aurez contacté le département du service à la clientèle pour le Produit CRAFTSMAN, Nous engagerons la procédure d'application de la garantie, y compris un examen physique, sous réserve des exclusions et des limites de la Période de garantie énoncées aux présentes, afin de déterminer si nous allons réparer ou remplacer le Produit CRAFTSMAN, ou Vous proposer un remboursement.

La décision de réparation ou de remplacement de Votre Produit CRAFTSMAN, ou de remboursement, est à notre discrétion exclusive. Les réparations ou remplacements qui Vous sont accordés par ETC sont gratuits pour Vous s'ils sont couverts par la présente garantie limitée.

Si Nous ne sommes pas en mesure de Vous fournir un Produit CRAFTSMAN réparé de façon approprié ou de remplacement, Nous Vous accorderons un remboursement égal au prix d'achat de Votre Produit CRAFTSMAN ou un crédit à utiliser vers l'achat d'un nouveau Produit CRAFTSMAN.

En cas de litige entre le CLIENT et NOUS, l'une quelconque des parties peut décider de faire résoudre le problème par voie d'arbitrage obligatoire. CELA SIGNIFIE QUE SI LE CLIENT CHOISIT OU NOUS CHOISSONS UN ARBITRAGE OBLIGATOIRE, AUCUNE DES PARTIES N'AURA LE DROIT D'INTENTER UNE ACTION EN JUSTICE DEVANT UN TRIBUNAL OU DE DEMANDER UN JUGEMENT PAR JURY. LES DROITS D'OBLIGATION DE SOUMISSION DE DOCUMENTS ET D'APPEL SONT LIMITÉS.

La présente garantie limitée vous confère des droits légaux spécifiques, et vous disposez peut-être aussi d'autres droits, qui varient en fonction de l'État ou de la province où Vous résidez. Étant donné que certains États et certaines provinces ne permettent pas l'exclusion des dommages indirects ou secondaires, il se peut que la limitation ci-dessus ne s'applique pas.



CRAFTSMAN®

is a registered trademark of Stanley Black & Decker, Inc., used under license.
es una marca registrada de Stanley Black & Decker, Inc., utilizada bajo licencia.
est une marque déposée de Stanley Black & Decker, Inc., utilisée sous licence.

© 2019 CRAFTSMAN

Product Manufactured by:	EMERSON TOOL COMPANY
Producto fabricado por:	8100 W. Florissant • St. Louis, MO 63136
Produit fabriqué par :	U.S. & Canada Only • É.-U. et Canada seulement



Definiciones: Símbolos y palabras de alerta de seguridad

Este manual de instrucciones utiliza los siguientes símbolos y palabras de alerta de seguridad para alertarle a usted de situaciones peligrosas y su riesgo de lesiones corporales o daños materiales.

⚠ PELIGRO: Indica una situación peligrosa que, si no se evita, causará la muerte o lesiones graves.

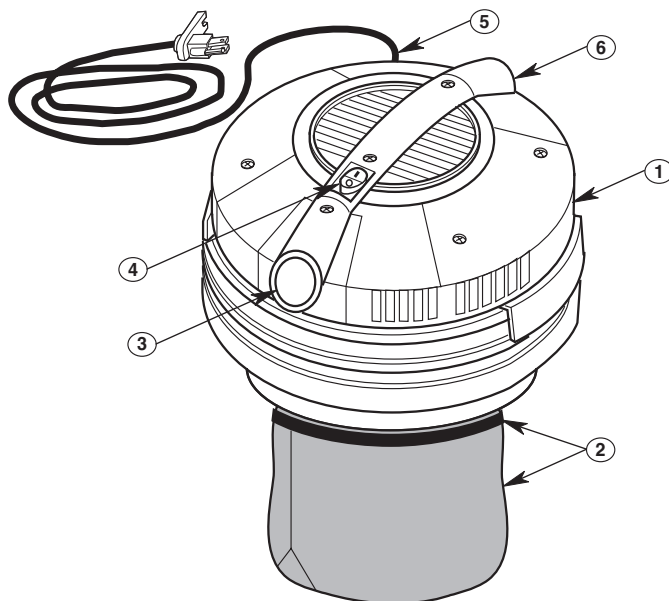
⚠ ADVERTENCIA: Indica una situación potencialmente peligrosa que, si no se evita, podría causar la muerte o lesiones graves.

⚠ PRECAUCIÓN: Indica una situación peligrosa que, si no se evita, es posible que cause lesiones leves o moderadas.

⚠ (Utilizado sin palabra) Indica un mensaje relacionado con la seguridad.

AVISO: Indica una práctica no relacionada con lesiones corporales que, si no se evita, es posible que cause daños materiales.

Fig. A



Componentes

- ① Ensamblaje de la cabeza motriz
- ② Bolsa de filtro y banda retenedora
- ③ Orificio de entrada
- ④ Interruptor de ENCENDIDO y APAGADO
- ⑤ Cable de alimentación
- ⑥ Orificio de soplado

⚠ ADVERTENCIA: Lea todas las advertencias de seguridad y todas las instrucciones. Si no se siguen las advertencias e instrucciones, es posible que el resultado sea descargas eléctricas, incendio y/o lesiones graves.

⚠ ADVERTENCIA: No modifique nunca el producto ni ninguna parte del mismo. El resultado de hacerlo podría ser daños o lesiones corporales.

⚠ ADVERTENCIA: Para reducir el riesgo de lesiones, lea el manual de instrucciones.

Si tiene preguntas o comentarios sobre este o cualquier otro producto, llame gratis a CRAFTSMAN al: 1-888-331-4569.

INSTRUCCIONES DE SEGURIDAD IMPORTANTES

Cuando utilice esta aspiradora, siga siempre las precauciones básicas de seguridad, incluyendo las siguientes:

⚠️ ADVERTENCIA: Para reducir el riesgo de incendio, sacudidas eléctricas o lesiones:

- Lea y entienda este Manual de instrucciones y todas las etiquetas que están colocadas en la aspiradora antes de utilizarla.
- Utilice la aspiradora únicamente de la manera que se describe en este manual.
- No deje la aspiradora en marcha mientras esté desatendida. Usted podría no notar señales importantes que indiquen un funcionamiento anormal, tal como pérdida de succión, residuos o líquido que salen por el escape o ruidos anormales del motor. Deje de usar la aspiradora inmediatamente si observa estas señales.
- No abandone la aspiradora cuando esté enchufada. Desenchúfela del tomacorriente cuando no la esté utilizando y antes de realizar servicio de revisión.
- PARA REDUCIR EL RIESGO DE DESCARGAS ELÉCTRICAS, UTILICE ÚNICAMENTE CUBETAS CON LOS SIGUIENTES NÚMEROS UPC:
ACE® - 0 28901 08836 3,
Amazon - 8 84305 35557 7,
Lowe's® - 0 51596 10055 1,
Tractor Supply Company® -
0 12891 95001 2, 0 64784 73118 5,
Menards® - 0 17581 30505 9,
CANAC® - 2 01102 14080 3,
Canadian Tire - 6 28076 19101 1,
Orchard Supply Hardware® -
0 26703 05500 0.
The Home Depot® - 0 26703 05555 0,
0 84305 35554 6, 0 62602 00582 1,
ó 7 501058 56159 6.
- Las chispas que se producen en el interior del motor pueden incendiar los vapores inflamables o el polvo. Para reducir el riesgo de incendio o explosión: No use la aspiradora cerca de líquidos, gases, o polvos combustibles tales como gasolina u otros combustibles, líquido encendedor, limpiadores, pinturas a base de aceite, gas natural, polvo de carbón, polvo de magnesio, polvo de granos de cereal, polvo de aluminio o pólvora. No utilice la unidad en una cubeta que contenga residuos de dichos vapores o polvos.
- No recoja con la aspiradora nada que esté ardiendo o humeando, como cigarrillos, fósforos o cenizas calientes.
- Para evitar el riesgo de autoignición de los residuos contenidos en la cubeta, vacíe la cubeta después de cada uso. Los materiales combustibles tales como los trapos y el aserrín, especialmente si contienen tinte para madera o uretano, pueden ser causas de dicho sobrecalentamiento.
- No recoja con la aspiradora polvo de pared de yeso ni ceniza fría de chimenea o otros polvos finos con un filtro estándar. Estos materiales pueden pasar por el filtro y ser expulsados de vuelta al aire.
- Para reducir el riesgo de inhalar vapores tóxicos, no recoja con la aspiradora materiales tóxicos o peligrosos ni la use cerca de dichos materiales.
- Para reducir el riesgo de descargas eléctricas, no exponga la aspiradora a la lluvia ni deje que entren líquidos en el compartimiento del motor. Guarde la aspiradora en un lugar interior.

- Esta aspiradora mojado/seco no se destina para utilizarse por personas (incluyendo niños) cuyas capacidades físicas, sensoriales o mentales sean diferentes o estén reducidas, o carezcan de experiencia o conocimiento, a menos que dichas personas reciban una supervisión o capacitación para el funcionamiento del aparato por una persona responsable de su seguridad.
- No permita que la aspiradora se utilice como un juguete. Se necesita prestar máxima atención cuando sea utilizada por niños o cerca de éstos.
- No use la aspiradora con un filtro desgarrado o sin tener el filtro instalado, excepto cuando recoja con ella líquidos de la manera que se describe en este manual. Los residuos secos absorbidos por el impulsor podrían dañar el motor o ser expulsados de vuelta al aire.
- Apague la aspiradora antes de desenchufarla.
- Para reducir el riesgo de lesiones debidas a un arranque accidental, desenchufe el cordón de energía antes de cambiar o limpiar el filtro.
- No desenchufe la aspiradora tirando del cordón. Para desenchufarla, agarre el enchufe y no el cordón.
- No use la aspiradora con el cordón dañado, el enchufe dañado u otras piezas dañadas. Si la aspiradora no funciona como debe, le faltan piezas, se ha caído, ha sido dañada, se ha dejado a la intemperie o se ha caído al agua, llame a servicio al cliente al 1-888-331-4569 (México 001-888-331-4569).
- No tire de la aspiradora usando el cordón ni la lleve por el cordón, ni use el cordón como asa, ni cierre una puerta sobre el cordón, ni tire del cordón alrededor de bordes o esquinas afilados. Mantenga el cordón alejado de las superficies calientes.
- No maneje el enchufe, el interruptor o la aspiradora con las manos mojadas.
- Utilice únicamente cables de extensión con capacidad para uso a la intemperie y que tengan un conductor de conexión a tierra. Los cables de extensión que estén en malas condiciones o tengan un tamaño de alambre demasiado pequeño pueden presentar peligros de incendio y descargas eléctricas. Para reducir el riesgo de estos peligros, asegúrese de que el cable esté en buenas condiciones y que no entre ningún líquido en contacto con la conexión. No utilice un cable de extensión que tenga conductores de tamaño inferior a 1,3 mm² (16 AWG).
- Conecte la aspiradora solamente a un toma corriente conectado a tierra adecuada mente. Consulte las instrucciones de conexión a tierra.
- No ponga ningún objeto en las aberturas de ventilación. No recoja nada con la aspiradora cuando cualquiera de las aberturas de ventilación esté bloqueada; mantenga dichas aberturas libres de polvo, pelusa, pelo o cualquier cosa que pueda reducir el flujo de aire.
- Mantenga el pelo, la ropa holgada, los dedos y todas las partes del cuerpo alejados de las aberturas y de las piezas móviles.
- Para reducir el riesgo de caídas, tenga cuidado adicional al limpiar en escaleras.
- Para reducir el riesgo de que la unidad vuelque cuando la transporte por la agarradera tipo asa de la cubeta, asegúrese de que dicha agarradera tipo asa esté acoplada a presión en las ranuras de retención ubicadas en los pestillos.
- Para reducir el riesgo de lesiones corporales o daños a la aspiradora, utilice únicamente accesorios recomendados por CRAFTSMAN.

- Cuando utilice la aspiradora como soplador:
 - Dirija la descarga de aire solamente hacia el área de trabajo.
 - No dirija el aire hacia las personas que estén presentes.
 - Mantenga alejados a los niños durante la operación de soplado.
 - No utilice el soplador para trabajos que no sean soplar suciedad y residuos.
 - No use la aspiradora como rociador.
- Para reducir el riesgo de lesiones en los ojos, use protección ocular de seguridad. La utilización de cualquier aspiradora utilitaria o soplador utilitario puede hacer que se soplen objetos extraños hacia los ojos, lo cual puede causar daños graves en los ojos.

⚠ ADVERTENCIA:

Para reducir el riesgo de lesiones corporales por causa de una conexión eléctrica floja entre el enchufe del electrodoméstico y el cable de extensión, conecte de manera firme y completa el enchufe del electrodoméstico al cable de extensión. Compruebe periódicamente la conexión mientras utiliza la unidad, para asegurarse de que esté totalmente fija. No utilice un cable de extensión que proporcione una conexión floja. Es posible que una conexión floja cause sobrecalentamiento e incendio y aumente el riesgo de quemadura.

- Utilice únicamente cables de extensión para intemperie de tres alambres que tengan enchufes de conexión a tierra con tres terminales y tomacorrientes de conexión a tierra que acepten el enchufe del electrodoméstico.
- Dé mantenimiento cuidadoso al electrodoméstico.

⚠ PRECAUCIÓN:

- Para reducir el riesgo de daños a la audición, use protectores de oídos cuando utilice la aspiradora durante muchas horas seguidas o cuando la emplee en un área ruidosa.
- Para operaciones que generan polvo, use una máscara antipolvo.
- Las descargas de estática son comunes cuando la humedad relativa del aire es baja. Si recoge residuos finos con la aspiradora, se puede depositar carga estática en la manguera o en la aspiradora. El mejor remedio para reducir la frecuencia de las descargas de estática en su casa o cuando use esta aspiradora es añadir humedad al aire con un humidificador.

Siga las siguientes advertencias que aparecen en la caja del motor de la aspiradora.

⚠ ADVERTENCIA:

- PARA REDUCIR EL RIESGO DE LESIONES, EL USUARIO DEBE LEER EL MANUAL DEL USUARIO.
- PARA REDUCIR EL RIESGO DE DESCARGAS ELÉCTRICAS, UTILICE ÚNICAMENTE CUBETAS CON LOS SIGUIENTES NÚMEROS UPC:
 - ACE® - 0 28901 08836 3,
 - Amazon - 8 84305 35557 7,
 - Lowe's® - 0 51596 10055 1,
 - Tractor Supply Company® - 0 12891 95001 2, 0 64784 73118 5,
 - Menards® - 0 17581 30505 9,
 - CANAC® - 2 01102 14080 3,
 - Canadian Tire - 6 28076 19101 1,
 - Orchard Supply Hardware® - 0 26703 05500 0.
 - The Home Depot® - 0 26703 05555 0,
 - 0 84305 35554 6, 0 62602 00582 1,
 - ó 7 501058 56159 6.
- No deje la unidad en marcha mientras esté desatendida.
- No recoja cenizas calientes, brasas, materiales inflamables, combustibles/autoincendiables o tóxicos, ni otros materiales peligrosos, ni utilice la unidad alrededor de líquidos o vapores explosivos, inclusive residuos dejados en la cubeta.

⚠ ADVERTENCIA:

- Para su propia seguridad, lea y entienda el manual del operador.
- No tenga en marcha la aspiradora desatendida.
- No recoja cenizas calientes, brasas, materiales inflamables, combustibles/autoincendiables o tóxicos, ni otros materiales peligrosos.
- No utilice la aspiradora en las proximidades de líquidos o vapores explosivos.

⚠ ADVERTENCIA:

Para reducir el riesgo de sacudidas eléctricas, no exponga la aspiradora a la lluvia y almacénela en interiores.

REEMPLAZO GRATUITO DE LAS ETIQUETAS DE ADVERTENCIA: Si sus etiquetas de advertencia se vuelven ilegibles o faltan, llame al **1-888-331-4569** para obtener un reemplazo gratis.

GUARDE ESTAS INSTRUCCIONES

INTRODUCCIÓN

Esta cabeza motriz está diseñada para utilizarse únicamente con una cubeta de plástico de 19 litros (5 galones EE.UU.), de aproximadamente 368 mm (14-1/2 pulgadas) de altura y un diámetro superior de 298 mm (11-3/4 pulgadas), que tenga un asa de tipo semicircular hecha con alambre de acero de calibre 10.

Esta cubeta está disponible a través de muchas tiendas de mejoras para el hogar, tal y como se indica en el manual.

Con esta cubeta usted tiene una aspiradora que está diseñada para uso doméstico.

Se puede utilizar para realizar aspiración ligera de materiales mojados o secos y también se puede utilizar como soplador. El diseño liviano permite la utilización para realizar muchas pequeñas tareas de aspiración doméstica.

Familiarícese con el producto y lea todo el manual del usuario para conocer la utilización específica de su nueva aspiradora para mojado/seco.

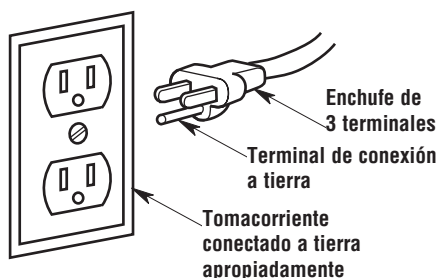
ÍNDICE

Sección	Página	Sección	Página
Instrucciones de seguridad importantes.	33-34	Recogida de líquidos con la aspiradora.	41
Introducción.	35	Vaciado de la cubeta.	42
Instrucciones de conexión a tierra.	36	Dispositivo de soplado.	42
Contenido de la caja de cartón.	37	Mantenimiento.	43-44
Instalación.	38-39	Limpieza de la bolsa de filtro.	43
Montaje de la cabeza motriz.	38	Remoción y reemplazo de la bolsa de filtro.	43
Desmontaje de la cabeza motriz.	38	Almacenamiento.	43
Introduzca la manguera.	39	Limpieza y desinfección de la aspiradora para mojado/seco.	44
Almacenamiento del cordón de energía.	39	Localización y resolución de problemas.	44
Almacenamiento del ensamblaje de la manguera.	39	Garantía.	45
Funcionamiento.	40-42		
Interruptor de ENCENDIDO y APAGADO.	40		
Recogida de materiales secos con la aspiradora.	41		

INSTRUCCIONES DE CONEXIÓN A TIERRA

Esta aspiradora se debe conectar a tierra. En caso de mal funcionamiento o avería, la conexión a tierra proporciona una ruta de resistencia mínima para la corriente eléctrica con el fin de reducir el riesgo de sacudidas eléctricas. Esta aspiradora está equipada con un cordón que tiene un conductor de conexión a tierra del equipo y un enchufe de conexión a tierra. El enchufe debe introducirse en un tomacorriente apropiado que esté instalado correctamente y conectado a tierra adecuadamente, de acuerdo con todos los códigos y ordenanzas locales.

Fig. B



Esta aspiradora está diseñado para utilizarse en un circuito de 120 V nominales y tiene un enchufe conectado a tierra que tiene un aspecto como el del enchufe que se muestra en la ilustración.

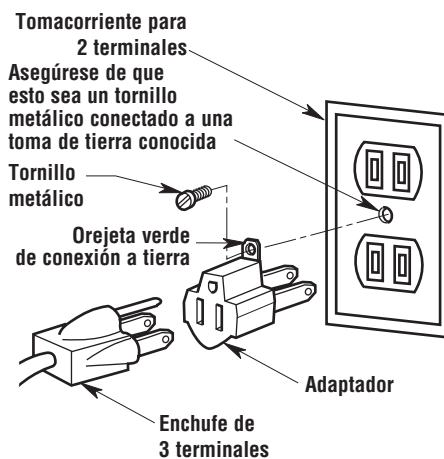
Se puede utilizar un adaptador temporal, que tenga un aspecto como el del adaptador que se muestra en la ilustración, para conectar este enchufe a un receptáculo de dos polos, de la manera que se muestra en la ilustración. Si no se dispone de un tomacorriente conectado a tierra apropiadamente, el adaptador temporal debe utilizarse únicamente hasta que un electricista calificado pueda instalar un tomacorriente conectado a tierra apropiadamente.

La orejeta, lengüeta o pieza similar rígida de color verde que sobresale del adaptador se debe conectar a una toma de tierra permanente, como por ejemplo una tapa de caja tomacorriente conectada a tierra apropiadamente. Siempre que se utilice el adaptador, se debe sujetar en la posición correcta con un tornillo metálico.

NOTA: En Canadá, el uso de un adaptador temporal no está permitido por el Código Eléctrico Canadiense.

Fig. C

⚠ ADVERTENCIA:
La conexión incorrecta del conductor de conexión a tierra del equipo puede causar un riesgo de sacudidas eléctricas. Consulte a un electricista calificado o a una persona de servicio competente si tiene dudas sobre si el tomacorriente está conectado a tierra apropiadamente. No modifique el enchufe suministrado con el electrodoméstico. Si el enchufe no cabe en el tomacorriente, haga que un electricista calificado instale un tomacorriente apropiado.

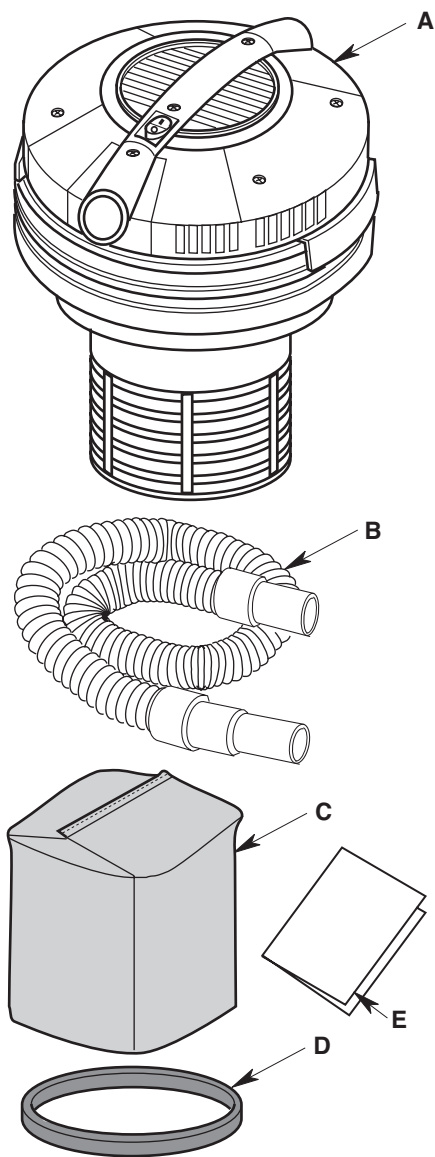


CONTENIDO DE LA CAJA DE CARTÓN (Fig. D)

Saque todo el contenido de la caja de cartón. Asegúrese de que no falte ningún artículo utilizando la lista del contenido de la caja.

Si alguna pieza está dañada o falta, llame de inmediato a servicio al cliente al 1-888-331-4569 (México 001-888-331-4569).

Fig. D



Clave	Descripción	Cant.
A	Ensamblaje de la cabeza motriz	1
B	Ensamblaje de la manguera	1
C	Bolsa de filtro	1
D	Banda retenedora	1
E	Manual de instrucciones	1

Es posible que la bolsa de filtro y la banda retenedora ya estén ensambladas.

NOTA: Consulte la lista de piezas de repuesto para obtener el número de pieza.

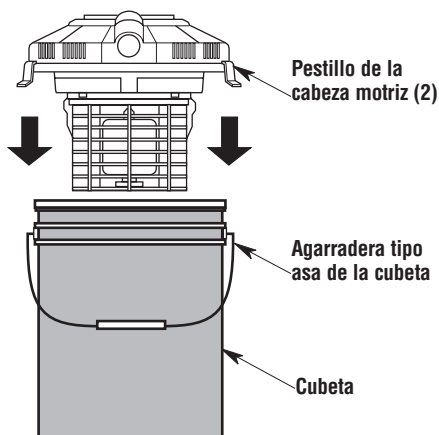
INSTALACIÓN

Montaje de la cabeza motriz (Figs. E & F)

1. Alinee los pestillos de la cabeza motriz con la agarradera tipo asa de la cubeta.
2. Presione firmemente hacia abajo sobre cada uno de los pestillos para acoplarlos con la cubeta.

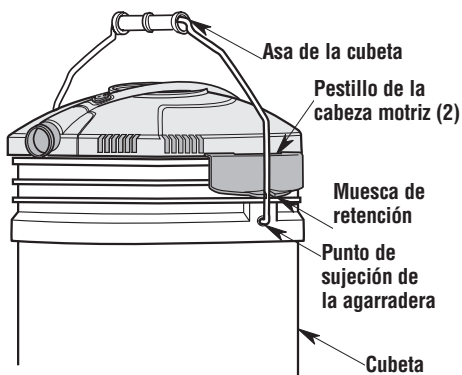
Fig. E

*La instalación mostrada es para aplicaciones de recogida de residuos húmedos.



3. Levante la agarradera tipo asa de la cubeta para acoplarla a presión en las muescas de retención de los pestillos.

Fig. F

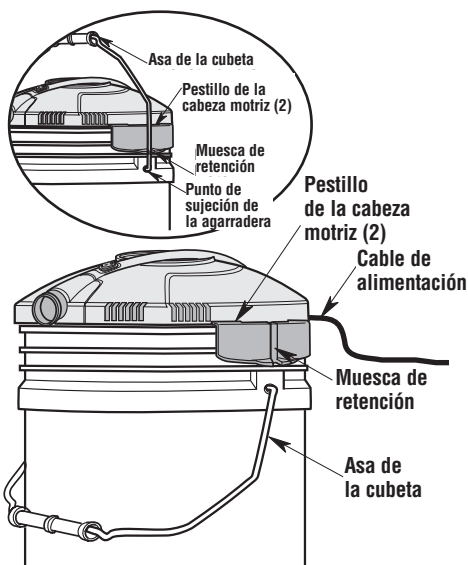


Desmontaje de la cabeza motriz (Fig. G)

1. Para retirar la cabeza motriz de la cubeta, desenchufe PRIMERO el cable de alimentación del tomacorriente de la pared.
2. Retire la manguera de la cabeza motriz y rote la agarradera tipo asa de la cubeta alejándola del cable de alimentación.
3. Extienda ligeramente ambos pestillos alejándolos de la cubeta.
4. Levante el ensamblaje de la cabeza motriz para separarlo de la cubeta.

NOTA: Para reducir el riesgo de volcar al transportar la unidad por la agarradera tipo asa, alinee los pestillos de la cabeza motriz encima de los puntos de sujeción de la agarradera y asegúrese de que la agarradera esté acoplada a presión en las muescas de retención ubicadas en los pestillos.

Fig. G



Introduzca la manguera (Fig. H)

Inserte el ensamblaje de la manguera en el orificio de entrada del ensamblaje de la cabeza motriz (ubicado cerca del interruptor de alimentación). La manguera debería quedar firmemente sujeta en la posición correcta.

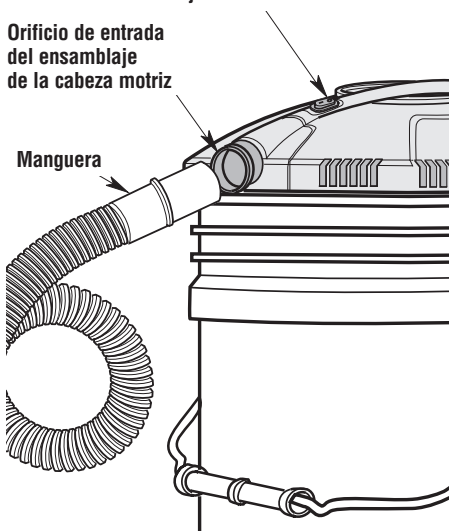
Para retirar el ensamblaje de la manguera del ensamblaje de la cabeza motriz: Gire y jale hacia fuera el ensamblaje de la manguera para liberar la manguera del orificio de entrada del ensamblaje de la cabeza motriz.

Fig. H

Interruptor de ENCENDIDO Y APAGADO del ensamblaje de la cabeza motriz

Orificio de entrada del ensamblaje de la cabeza motriz

Manguera



Almacenamiento del cable de alimentación (Fig. I)

El cable de alimentación se deberá enrollar alrededor del ensamblaje de la cabeza motriz.

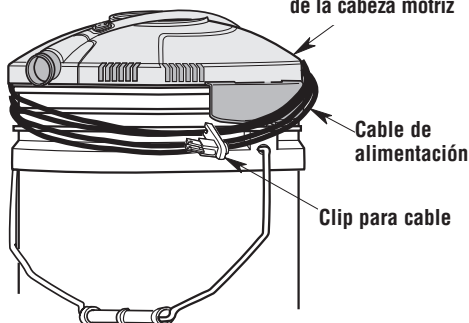
Acople a presión el clip para cable en el cable de alimentación para sujetarlo firmemente en la posición correcta.

Fig. I

Ensamblaje de la cabeza motriz

Cable de alimentación

Clip para cable



Almacenamiento del ensamblaje de la manguera (Fig. J)

El ensamblaje de la manguera también se puede almacenar dentro de la cubeta de la aspiradora.

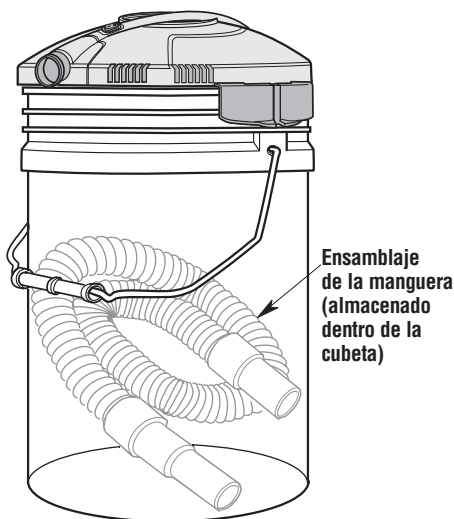
⚠ PRECAUCIÓN:

No utilice la aspiradora mientras la manguera o los accesorios estén almacenados dentro de la cubeta de la aspiradora para seco/mojado.

⚠ ADVERTENCIA:

No ponga ningún objeto en las aberturas de ventilación. No aspire si alguna abertura de ventilación está bloqueada; mantenga las aberturas de ventilación libres de polvo, pelusa, pelo o cualquier cosa que pueda reducir el caudal de aire.

Fig. J



Ensamblaje de la manguera (almacenado dentro de la cubeta)

FUNCIONAMIENTO

⚠️ ADVERTENCIA:

Para reducir el riesgo de incendio, explosión o daños a la aspiradora:

- No deje la aspiradora en marcha mientras esté desatendida. Usted podría no notar señales importantes que indiquen un funcionamiento anormal, tal como pérdida de succión, residuos o líquido que salen por el escape o ruidos anormales del motor. Deje de usar la aspiradora inmediatamente si observa estas señales.
- No deje la aspiradora enchufada cuando no se esté utilizando.
- No continúe usando la aspiradora cuando el flotador haya cortado la succión.
- Las chispas generadas dentro del motor pueden incendiar los materiales inflamables suspendidos en el aire. No utilice la aspiradora cerca de líquidos inflamables ni en áreas con gases o vapores inflamables o polvo explosivo/suspendido en el aire. Los líquidos inflamables, gases inflamables y los vapores inflamables incluyen: líquido encendedor, limpiadores tipo solvente, pinturas a base de aceite, gasolina, alcohol y rociadores tipo aerosol. Los polvos explosivos incluyen: carbón, magnesio, aluminio, grano de cereal y pólvora.
- No recoja con la aspiradora polvos explosivos, líquidos inflamables ni cenizas calientes.
- No deje aserrín ni trapos con residuos de tinte o de poliuretano dentro de la aspiradora. Vacíe la cubeta después de recoger estos materiales potencialmente autocalentables.

⚠️ ADVERTENCIA:

Para reducir el riesgo de descargas eléctricas o lesiones:

- No exponga la aspiradora a la lluvia ni deje que entre líquido en el compartimiento del motor. Almacene la aspiradora en un lugar interior.
- No maneje el enchufe, el interruptor o la aspiradora con las manos mojadas.
- No haga servicio de ajustes y reparaciones de la aspiradora mientras esté enchufada. Si la aspiradora no está funcionando como debería, le faltan piezas, se ha caído, está dañada, se ha dejado a la intemperie o se ha caído al agua, llame a servicio al cliente al 1-888-331-4569 (México 001-888-331-4569).
- Cuando utilice un cordón de extensión, utilice únicamente cordones con capacidad nominal para uso a la intemperie que estén en buenas condiciones. No deje que la conexión entre en contacto con líquido.

⚠️ PRECAUCIÓN:

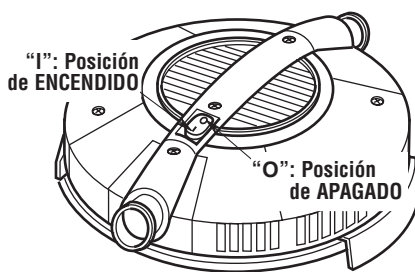
Para reducir el riesgo de daños a la audición, use protectores de oídos cuando utilice la aspiradora/soplador durante un tiempo prolongado o en un área ruidosa.

Interruptor de ENCENDIDO y APAGADO (Fig. K)

Después de enchufar el cordón de energía en el tomacorriente, encienda la unidad empujando el interruptor de la posición "O" a la posición "I". Los símbolos utilizados en el accionador del interruptor son los símbolos internacionales de "encendido y apagado":

○ = APAGADO | = ENCENDIDO

Fig. K



Recogida de materiales secos con la aspiradora (Fig. L)

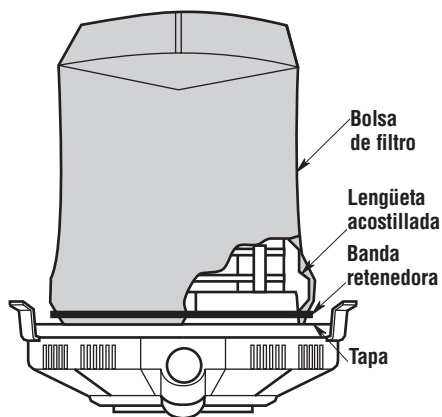
1. La bolsa de filtro debe estar siempre en la posición correcta para reducir el riesgo de fugas y posibles daños a la aspiradora. Asegúrese de que la bolsa de filtro esté cubriendo completamente la jaula del filtro y que la banda retenedora esté tan cerca del ensamblaje del cabezal del motor como sea posible. Asegúrese de que no haya holguras entre la bolsa de filtro y el ensamblaje del cabezal del motor.

NOTA: Es muy importante ensamblar la bolsa de filtro en la jaula sin dejar ninguna posible fuga o desgarradura. Cualquier fuga permitirá que los medios recogidos sean sopladados hacia fuera por el orificio del soplador y de vuelta al entorno circundante.

2. Cuando utilice su aspiradora para recoger polvo muy fino, será necesario que vacíe la cubeta y limpie o reemplace la bolsa de filtro a intervalos más frecuentes para mantener el rendimiento pico de la aspiradora. Consulte "Reemplazo del filtro" en la sección de Mantenimiento para obtener detalles completos.

NOTA: Se necesita una bolsa de filtro seca para recoger material seco. Si utiliza su aspiradora para recoger polvo cuando la bolsa de filtro esté mojada, dicha bolsa se obstruirá rápidamente y será muy difícil limpiarla. En el caso de que la bolsa de filtro se moje, reemplácela antes de seguir recogiendo material seco.

Fig. L



Recogida de líquidos con la aspiradora (Fig. M)

⚠ ADVERTENCIA:

No retire la jaula ni el flotador. El flotador impide que entre líquido al impulsor y dañe el motor. La jaula impide que los dedos toquen el impulsor cuando esté en movimiento.

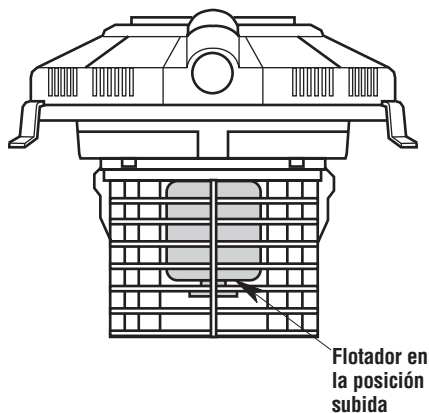
⚠ ADVERTENCIA:

Para reducir el riesgo de incendio o explosión, no aspire líquidos, gases ni polvos inflamables o combustibles.

1. Se recomienda enfáticamente quitar el filtro para recoger material mojado.
2. Esta aspiradora para mojado/seco está equipada con un mecanismo de flotador que subirá automáticamente para cortar la circulación de aire cuando el líquido contenido en la cubeta alcance un nivel predeterminado. Cuando esto ocurra, APAGUE la aspiradora, desenchufe el cordón de energía y vacíe la cubeta. Sabrá que el flotador ha cortado la circulación de aire porque la succión cesará y el ruido del motor alcanzará una frecuencia más alta debido al aumento de la velocidad del motor. La capacidad de líquido puede variar con la velocidad de recogida.
3. Si se usó una bolsa de filtro para recoger residuos mojados, asegúrese de reemplazar la bolsa de filtro después de recoger dichos residuos. No recoja nunca residuos secos sin tener la bolsa de filtro instalada adecuadamente.

IMPORTANTE: Para reducir el riesgo de daños a la aspiradora, no haga funcionar el motor con el flotador en la posición subida.

Fig. M



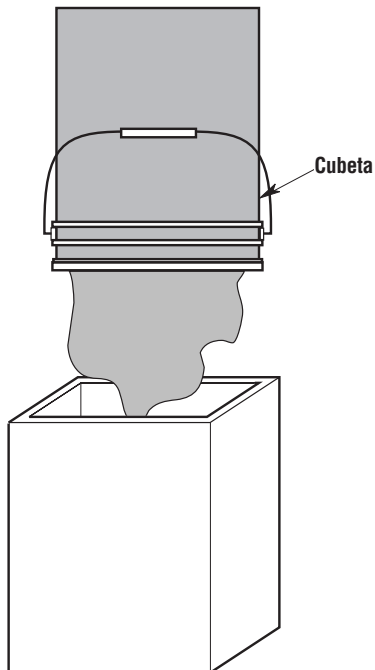
Vaciado de la cubeta (Fig. N)

⚠ ADVERTENCIA:

Para reducir el riesgo de lesiones por causa de un arranque accidental, desenchufe el cable de alimentación antes de vaciar la cubeta.

1. Retire el ensamblaje del cabezal del motor. Jale los pestillos del ensamblaje del cabezal del motor hacia fuera para liberar dicho ensamblaje de la cubeta.
2. Levante el ensamblaje del cabezal del motor alejándolo de la cubeta.
3. Coloque el ensamblaje del cabezal del motor en posición invertida sobre un área limpia mientras vacía la cubeta.
4. Deseche el contenido de la cubeta en el recipiente de eliminación de residuos adecuado.

Fig. N



Dispositivo de soplado (Fig. O)

La aspiradora cuenta con un orificio de soplado. Este dispositivo puede soplar aserrín y otros residuos. Siga los pasos que se indican a continuación para utilizar la aspiradora como soplador.

1. Localice el orificio de soplado ubicado en la parte trasera de su cabeza motriz.
2. Inserte el extremo de fijación del ensamblaje de la manguera en el orificio de soplado de la cabeza motriz. La manguera debería acoplarse a presión en su sitio.
Para retirar la manguera de la cabeza motriz: Gire y jale hacia fuera el ensamblaje de la manguera para liberar la manguera del orificio de soplado de la cabeza motriz.
3. (Opcional) Acople un tubo extensor en el extremo opuesto de la manguera.
4. ENCIENDA la cabeza motriz y estará listo para utilizarla como soplador.

⚠ ADVERTENCIA:

Use siempre protectores oculares de seguridad que cumplan con la norma ANSI Z87.1 (o en Canadá, con la norma CSA Z94.3) antes de utilizar la aspiradora como soplador.

⚠ ADVERTENCIA:

Para reducir el riesgo de lesiones a las personas que estén presentes, manténgalas alejadas de los residuos soplados.

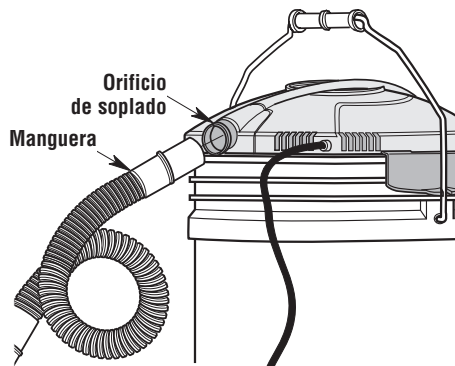
⚠ PRECAUCIÓN:

Use una máscara antipolvo si el soplado genera polvo que podría ser inhalado.

⚠ PRECAUCIÓN:

Para reducir el riesgo de daños a la audición, use protectores de oídos cuando utilice la aspiradora/soplador durante muchas horas seguidas o cuando la utilice en un área ruidosa.

Fig. O



MANTENIMIENTO

Limpieza de la bolsa del filtro

⚠ ADVERTENCIA:

Para reducir el riesgo de lesiones por causa de un arranque accidental, desenchufe el cordón de energía antes de cambiar o limpiar el filtro.

El filtro se debe limpiar a menudo para mantener un rendimiento óptimo de la aspiradora.

Después de retirar una bolsa de filtro sucia de la cabeza motriz, elimine los residuos secos golpeando suavemente el filtro contra la pared interior del recipiente de eliminación.

NOTA: Limpie la bosa de filtro en un área abierta. La limpieza deberá ser realizada al aire libre y no en el área de vivienda.

IMPORTANTE: Después de limpiar la bolsa de filtro, compruebe si tiene desgarraduras o agujeros pequeños. Las desgarraduras y los agujeros en la bolsa de filtro pueden hacer que los residuos y el polvo sean sopladados hacia fuera de la aspiradora. No utilice una bolsa de filtro con agujeros o desgarraduras. Reemplácela de inmediato.

Remoción y reemplazo la bolsa del filtro (Fig. P)

IMPORTANTE: Para evitar daños a la rueda del soplador y al motor, reinstale siempre la bolsa de filtro antes de utilizar la aspiradora para recoger material seco.

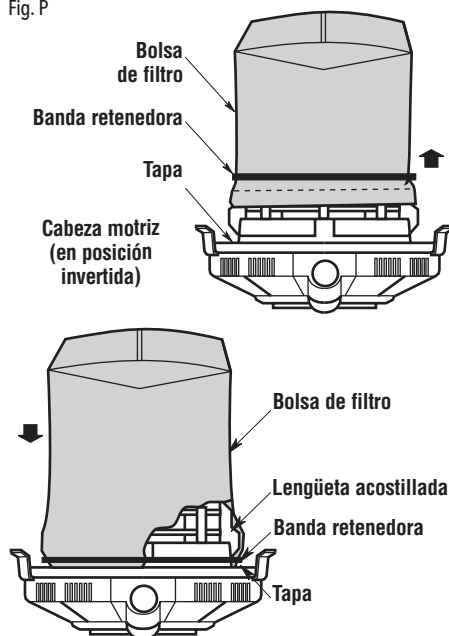
1. Extienda la banda retenedora alrededor de los postes de plástico ubicados en el ensamblaje del cabezal del motor.
2. Retire la bosa de filtro de la jaula del filtro.
3. Coloque la bolsa de filtro de repuesto sobre la jaula del filtro hasta que el extremo abierto toque la parte inferior del ensamblaje del cabezal del motor.
4. Libere la banda retenedora del poste de plástico ubicado en el ensamblaje del cabezal del motor, sujetando firmemente la bolsa de filtro al ensamblaje del cabezal del motor.
5. Asegúrese de que la banda retenedora esté posicionada sobre la bolsa del filtro entre las líneas impresas.

NOTA: Consulte la lista de piezas de repuesto para obtener el número de pieza.

NOTA: Antes de instalar la bolsa de filtro en la aspiradora, limpie el área del ensamblaje del cabezal del motor para que la banda retenedora selle la bolsa contra el ensamblaje del cabezal del motor e impida que las partículas pequeñas circunvalen la bolsa de filtro.

Si la bolsa de filtro está limpia y no está dañada, reinstálela sobre la jaula del filtro. Si no se puede reutilizar, coloque una bolsa de filtro nueva sobre la jaula del filtro.

Fig. P



Almacenamiento

Antes de almacenar la aspiradora, se debe vaciar y limpiar la cubeta. El cable de alimentación se deberá enrollar alrededor del asa de transporte y la manguera se deberá almacenar tal y como se describe en este manual. Los accesorios se deben mantener en la misma área que la aspiradora para que estén al alcance de la mano cuando se necesiten. La aspiradora se debe almacenar en interiores.

Limpieza y desinfección de la aspiradora para mojado/seco

Para mantener el mejor aspecto posible de la aspiradora para mojado/seco, limpie su exterior con un paño humedecido con agua templada y un jabón suave.

Para limpiar la cubeta:

1. Vacíe los residuos de la cubeta.
2. Lave a fondo de la cubeta con agua templada y un jabón suave.
3. Limpie la cubeta con un paño seco.

Antes de un almacenamiento prolongado o según sea necesario (por ejemplo, si se recogen aguas residuales), se debe desinfectar la cubeta.

Para desinfectar la cubeta:

1. Vierta 4 l (1 galón) de agua y 5 ml (1 cucharadita) de blanqueador de cloro en la cubeta.
2. Deje que la solución repose durante 20 minutos y agítela cuidadosamente cada pocos minutos, asegurándose de mojar todas las superficies interiores de la cubeta.
3. Vacíe la cubeta después de 20 minutos. Enjuáguela con agua hasta que el olor a blanqueador desaparezca. Deje que la cubeta se seque completamente antes de sellar el motor sobre la cubeta.

⚠ ADVERTENCIA:

Para garantizar la **SEGURIDAD** y **CONFIABILIDAD** del producto, cualquier otro mantenimiento, reparación y ajuste deberá ser realizado por los Centros de Servicio Autorizados, utilizando siempre piezas de repuesto CRAFTSMAN.

Localización y resolución de problemas

Problema	Causa	Remedio
La aspiradora no recoge la suciedad.	<ol style="list-style-type: none">1. Filtro taponado2. Manguera taponada3. Fuga de aire	<ol style="list-style-type: none">1. Limpie o reemplace la bolsa de filtro (siga las instrucciones de la página 43)2. Quite la manguera y retire los residuos.3. Asegúrese de que el ensamblaje de la cabeza motriz esté firmemente sujeto a la cubeta.
La aspiradora no funciona.	<ol style="list-style-type: none">1. No hay electricidad	<ol style="list-style-type: none">1. Asegúrese de que el tomacorriente tenga corriente. (Es posible que sea necesario ponerse en contacto con un electricista calificado.)

⚠ ADVERTENCIA:

Si cualquiera de las piezas del ensamblaje de la cabeza motriz se desprende o rompe, dejando al descubierto el motor o cualquier otro componente eléctrico, se debe interrumpir inmediatamente la operación para reducir el riesgo de lesiones personales o daños adicionales a la aspiradora. Esta aspiradora no tiene piezas reparables ni reemplazables por el usuario, excepto el filtro.

Aspiradora para seco/mojado con cabeza motriz de aspiración

No. de modelo CMXEVB176780

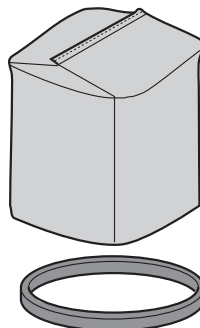
Clasificaciones eléctricas: 120 V~ 4 A 60 Hz

Bolsa de filtro de repuesto (Fig. R)

Las bolsas de filtro de repuesto están disponibles en el lugar donde usted compró su aspiradora.

El número de pieza es CMXZVBE38737.

Fig. R



GARANTÍA LIMITADA DE CRAFTSMAN® DE 3 AÑOS

Esta garantía limitada es ofrecida por Emerson Tool Company, una división de Emerson Electric Co., ("Nosotros" o "Nuestro" o "Nuestra") al propietario y consumidor original ("Cliente" o "Usted" o "Su") del producto CRAFTSMAN con el cual se proporciona esta garantía limitada (el "Producto CRAFTSMAN").

Lo que está cubierto

Le garantizamos a Usted que su Producto CRAFTSMAN estará libre de defectos de materiales y de fabricación cuando se utilice en condiciones normales y de acuerdo con los términos del Manual de Instrucciones que se le proporcione a Usted con el Producto CRAFTSMAN, sujeto a las exclusiones que se describen a continuación, por un período de tres años a partir de la fecha de compra por Usted (el "Período de Garantía"). Esta garantía limitada se termina si el comprador original transfiere el Producto CRAFTSMAN a otra persona o entidad.

Lo que no está cubierto

Esta garantía limitada no se extiende a lo siguiente y lo excluye expresamente:

- El desgaste por el uso normal y/o los aditamentos o accesorios de repuesto, incluyendo, sin limitación, cables de alimentación, mangueras, filtros y otros aditamentos o accesorios que Nosotros pongamos a la venta para utilizarlos con el Producto CRAFTSMAN.
- Daños al motor del Producto CRAFTSMAN o quemadura de dicho motor que resulten del hecho de no eliminar una obstrucción que ocurra durante el transcurso del uso normal.
- Pérdida del Producto CRAFTSMAN o daños al mismo que ocurran como resultado de situaciones que estén más allá de Nuestro control, incluyendo, sin limitación, uso incorrecto, accidente, abuso, descuido, negligencia (que no sea por parte Nuestra), sobreutilización más allá de la capacidad prevista tal y como se establezca en el Manual de Instrucciones, o modificaciones o alteraciones realizadas por alguien ajeno a Nosotros.
- Pérdida del Producto CRAFTSMAN o daños al mismo que ocurran como resultado del hecho de no utilizar el Producto CRAFTSMAN de acuerdo con las instrucciones escritas, las directrices y los términos y condiciones que se establezcan en el Manual de Instrucciones.
- EN LA MEDIDA EN QUE LA LEY LO PERMITA, NO SEREMOS RESPONSABLES EN NINGÚN CASO POR DAÑOS INCIDENTALES, ESPECIALES, INDIRECTOS O EMERGENTES, INCLUSIVE CUALQUIER PÉRDIDA ECONÓMICA, TANTO SI SON EL RESULTADO DE UN RENDIMIENTO DEFICIENTE COMO DE UTILIZACIÓN, USO, USO INCORRECTO O INCAPACIDAD PARA UTILIZAR EL PRODUCTO CRAFTSMAN O NEGLIGENCIA POR PARTE DE ETC.

Cómo obtener servicio

EE.UU. y Canadá: Para obtener los beneficios de la garantía, contáctenos llamando gratis al 1-888-331-4569 (México 001-888-331-4569). Le dirigiremos al centro de servicio más cercano para revisar su aspiradora con el fin de inspeccionarla, repararla o reemplazarla.

México: Para obtener los beneficios de la garantía, contáctenos llamando gratis al 001-888-331-4569. Le dirigiremos al centro de servicio más cercano para revisar su aspiradora con el fin de inspeccionarla, repararla o reemplazarla.

No se aplica ninguna otra garantía expresa

Esta garantía limitada es la garantía única y exclusiva que se le proporciona a Usted. No se aplica ninguna otra garantía expresa, escrita u oral, incluyendo, SIN LIMITACIÓN, LAS GARANTÍAS DE COMERCIABILIDAD O IDONEIDAD PARA UN PROPÓSITO ESPECÍFICO. Ningún empleado, agente, distribuidor u otra persona está autorizado para alterar esta garantía limitada u ofrecer cualquier otra garantía en nombre Nuestro.

Lo que haremos para corregir los problemas

EL REMEDIO ÚNICO Y EXCLUSIVO QUE USTED TIENE BAJO ESTA GARANTÍA LIMITADA ESTARÁ LIMITADO A LA REPARACIÓN, EL REEMPLAZO O EL REEMBOLSO DEL PRODUCTO CRAFTSMAN.

Después de que Usted se haya puesto en contacto con el Departamento de Servicio al Cliente de Productos CRAFTSMAN, Nosotros iniciaremos los procedimientos de la garantía, incluyendo una inspección física, sujeto a las exclusiones y al Período de Garantía que se establecen en el presente documento, para determinar si reparar o reemplazar el Producto CRAFTSMAN o darle a Usted un reembolso. La decisión de reparar o reemplazar su Producto CRAFTSMAN o darle un reembolso es a Nuestra discreción exclusiva. La reparación o los reemplazos que ETC le provea a Usted son sin costo alguno para Usted si están cubiertos bajo esta garantía limitada.

Si no podemos proporcionarle a Usted un Producto CRAFTSMAN reparado o de repuesto que sea adecuado, le daremos un reembolso igual al precio de compra de su Producto CRAFTSMAN o un crédito para utilizarlo hacia la compra de un Producto CRAFTSMAN nuevo. En el caso de cualquier disputa entre el CLIENTE Y NOSOTROS, cualquiera de las dos partes podrá optar por resolver dicha disputa mediante arbitraje vinculante. ESTO SIGNIFICA QUE SI TANTO EL CLIENTE OPTA POR EL ARBITRAJE VINCULANTE COMO SI NOSOTROS OPTAMOS POR DICHO ARBITRAJE, NINGUNA DE LAS DOS PARTES TENDRÁ DERECHO A LITIGAR DICHO RECLAMO ANTE UN TRIBUNAL NI A TENER UN JUICIO CON JURADO. LOS DERECHOS AL PROCESO DE DESCUBRIMIENTO, ASÍ COMO LOS DERECHOS DE APELACIÓN, ESTÁN LIMITADOS.

Esta garantía limitada le confiere a usted derechos legales específicos y es posible que usted tenga también otros derechos, que varían de un estado a otro. Algunos estados no permiten la exclusión de los daños incidentales o emergentes, por lo que es posible que la limitación que antecede no tenga aplicación.

NOTES

NOTES



CONDICIONES

1. Para hacer efectiva esta garantía, deberá presentarse esta póliza debidamente sellada por el establecimiento que lo vendió, o la factura, o recibo, o comprobante en el que consten los datos específicos del producto objeto de la compraventa junto con el producto, en el establecimiento en que fue adquirido o en el nombre y domicilio del importador que aparece en este documento.

2. **SEARS OPERADORA MEXICO S.A. DE C.V.** se compromete a cambiar el producto sin ningún cargo para el consumidor y a cubrir los gastos de transportación que se deriven del cumplimiento de la presente garantía, dentro de la red de servicio.

*Para México:

Para obtener partes, componentes, accesorios y cobertura de garantía:
Visite la tienda donde compró su aspiradora CRAFTSMAN
o cualquier otra tienda Sears en México, o contacte a Servicio Técnico de Sears:
Poniente 146 No. 669, Col. Industrial Vallejo,
Azcapotzalco, Ciudad de México, C.P. 02300,
Tel. 55-5130-3940

Importador:

SEARS OPERADORA MEXICO S.A. DE C.V.
Lago Zúrich No. 245, Edificio Presa Falcón Piso 7,
Col. Ampliación Granada, Miguel Hidalgo,
Ciudad de México, C.P. 11529,
Tel. 5227-8000

Sello:

Fecha: _____

El consumidor podrá solicitar que se haga efectiva esta garantía y podrá obtener las partes, componentes, consumibles y accesorios en el nombre y domicilio del importador que aparece en este documento.

CRAFTSMAN®

is a registered trademark of Stanley Black & Decker, Inc., used under license.
es una marca registrada de Stanley Black & Decker, Inc., utilizada bajo licencia.
est une marque déposée de Stanley Black & Decker, Inc., utilisée sous licence.

© 2019 CRAFTSMAN

Product Manufactured by: EMERSON TOOL COMPANY
Producto fabricado por: 8100 W. Florissant • St. Louis, MO 63136
Produit fabriqué par : U.S. & Canada Only • É.-U. et Canada seulement • EE.UU. y Canadá solamente

